

THE MACHINE III

Precision Vacuum Former



USER MANUAL

TABLE OF CONTENTS

The Machine III User Manual

(EN) GENERAL INFORMATION

Unpacking and Set Up	Page 3
Machine Parts Identification	Page 4
Instructions for Basic Operation	Page 5
Troubleshooting Guide.....	Page 10
Cleaning and Maintenance	Page 11
Warranty Terms and Conditions	Page 12
Repairs	Page 12
Environmental Conditions for Use and Storage	Page 13
Machine Symbol Key	Page 13
Technical Specifications	Page 13
Electrical Schematics	Page 58

(ES) INFORMACIÓN GENERAL

Desempaquetado y configuración	Página 14
Identificación de las partes de la máquina	Página 15
Instrucciones de funcionamiento básico	Página 16
Guía de resolución de problemas	Página 21
Limpieza y mantenimiento	Página 22
Términos y condiciones de la garantía	Página 23
Reparaciones	Página 23
Condiciones ambientales de uso y almacenamiento.....	Página 24
Símbolo clave de la máquina	Página 24
Especificaciones técnicas	Página 24
Esquemas eléctricos	Página 58

(FR) INFORMATIONS GÉNÉRALES

Déballage et installation	Page 25
Identification des pièces	Page 26
Consignes de fonctionnement de base.....	Page 27
Guide de dépannage	Page 32
Nettoyage et entretien	Page 33
Conditions de garantie.....	Page 34
Réparations	Page 34
Environnement d'utilisation et de stockage.....	Page 35
Touches de symboles.....	Page 35
Spécifications techniques	Page 35
Schémas électriques.....	Page 58

DE ALLGEMEINE INFORMATIONEN

Auspacken und Aufbauen.....	Seite 36
Maschinenbestandteile	Seite 37
Bedienungsanleitung für die Grundfunktionen.....	Seite 38
Fehlerbehebung.....	Seite 43
Reinigung und Wartung	Seite 44
Garantiebedingungen.....	Seite 45
Reparaturen.....	Seite 45
Umweltbedingungen für Gebrauch und Lagerung.....	Seite 46
Bedeutung der Symbole auf der Maschine.....	Seite 46
Technische Spezifikationen.....	Seite 46
Elektrische Schaltpläne	Seite 58

IT INFORMAZIONI GENERALI

Apertura del pacco ed Impostazioni	Pagina 47
Identificazione dei componenti della Machine	Pagina 48
Istruzioni per le operazioni base.....	Pagina 49
Guida alla risoluzione dei problemi.....	Pagina 54
Pulizia e Manutenzione	Pagina 55
Termini e Condizioni della garanzia	Pagina 56
Riparazioni.....	Pagina 56
Condizioni ambientali per l'utilizzo e la conservazione.....	Pagina 57
Simboli chiave della Machine	Pagina 57
Specifiche Tecniche.....	Pagina 57
Schemi elettrici	Pagina 58

UNPACKING AND SETUP

The Machine III requires minimal preparation for use. A few simple steps are necessary before operating the unit:

1. Handles

Remove the red cap from left handle hole. This cap is used to hold the handle locking pin in place during shipping. The purpose of the pin in the left handle is to act as a locking pin to hold the plates in position. Be certain that the pin does not fall out of the hole when the cap is removed. If the pin comes out of the hole, ensure it is installed with the white tip toward the post. Insert both handles into the handle holes at the back of the hinged frame. When raising the plates to the upper position for heating, turn left handle to lock the plates in place. Turn the handle away to loosen and lower the plates. One teardrop knob is provided to act as a material plate guide and may be inserted into the left or right front hole depending on user.

2. Placement

The Machine III should be placed on an open counter, within 4' of a standard properly grounded electrical outlet. **CAUTION:** The unit should not be placed closer than 6" from walls, cabinets or other equipment while in operation because of the temperature emitted from the heater. Under no circumstances should this unit be operated while located under or in a cabinet.

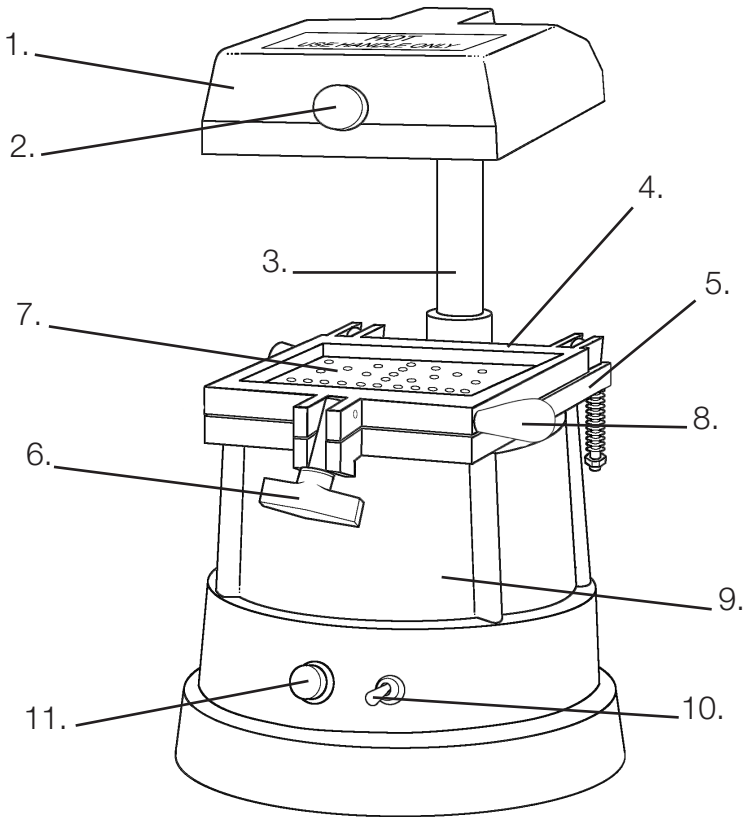
3. Power Cord

Plug the female end of the cord into the electrical inlet located on the back of the unit and the male end into a properly grounded electrical outlet. The unit's power cord should not be placed near the heater or any other hot surface.

THE MACHINE III

Precision Vacuum Former

PARTS IDENTIFICATION



1. HEATING UNIT

2. HEATER UNIT HANDLE

3. POST

4. TOP PLATE - SPRING LOAD

5. BOTTOM PLATE

6. LATCH ("T" KNOB)

7. VACUUM PLATE

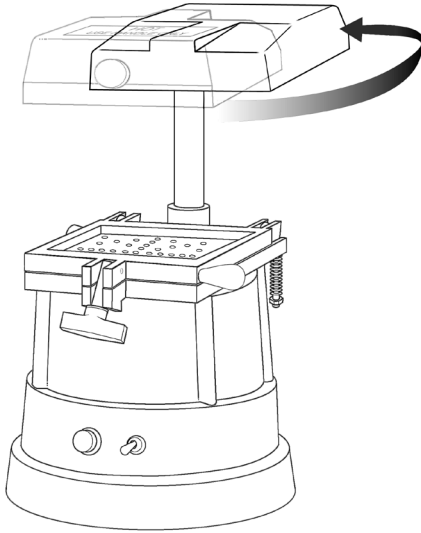
8. TEAR DROP HANDLE

9. BASE CASTING

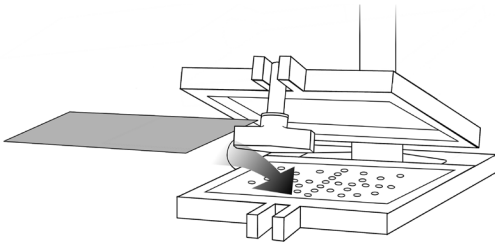
10. HEATER & VACUUM SWITCH

11. HEATER INDICATOR LIGHT

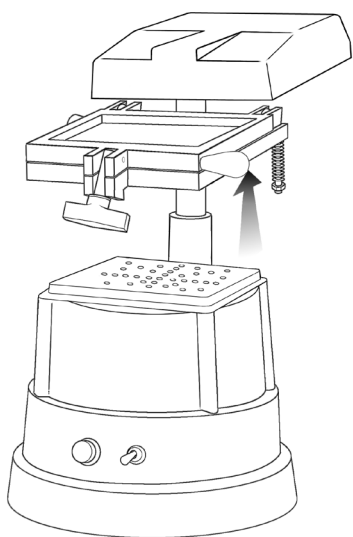
INSTRUCTION FOR BASIC OPERATION



1. Swing the heating unit to the rear and turn the switch to the left position to turn on the heater. The heater indicator light will come on when the heater is on. It will require approximately three minutes to preheat. Preheating the unit before use is especially important when using materials .040 or thinner. These materials heat very quickly and it is best to have the heater temperature stabilized first.

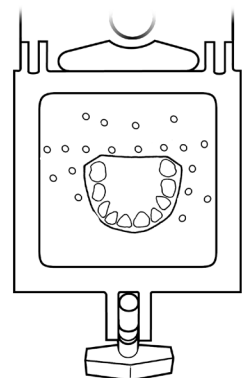
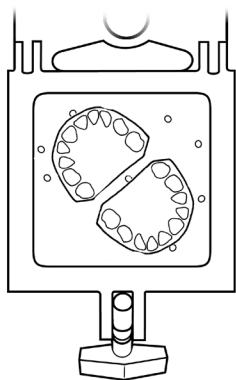


2. Open the top plate by pulling the latch knob. Place a sheet of forming material on the bottom plate. Lower the top material plate over the material and engage the latch.



3. Grasp both handles located on the rear of the bottom plate and raise the plates, twist the left handle to engage the locking pin which will hold the plates in the upper position.

4. Place the cast (stone, gypsum, etc.) on the vacuum plate. The Machine III will accommodate one or two casts of average size. If two casts are used, place them heel to heel diagonally on the vacuum plate. Maintain a slight space between the casts.



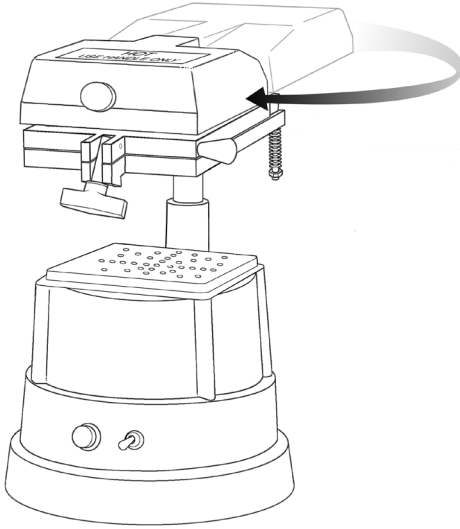
Model Preparation Guidelines:

Base — The base of the model should be as slim as practical - excessive base can result in thinning of the material and/or decreased details

Stone — Quality stone or gypsum that produces a hard, dense model is suggested. Softer materials may be dusty. This dust may settle into the finished appliance.

Undercuts — The trimmed sides should be flat and cut at a 90° angle. Undercuts and angles that cut into the base will create a vacuum lock and make it difficult to produce a detailed appliance. If possible, it is best to have the base flare out by a few degrees. This is completed during the trimming stage.

NOTE: Do not use wet casts or excessive silicone spray as the moisture will be sucked into the vacuum and may cause motor damage.



5. Swing the heating unit into position squarely over the material.

(Caution: Move heating unit only by the handle provided.)

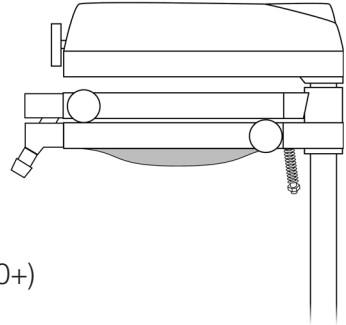
6. Carefully watch the material as it heats. When the material begins to sag, lower the material plate down

to the cast on the vacuum platform (use the handles located on the back of the material plate, slightly turn the left handle to disengage the locking pin).

Note: Material heats quickly and will be useless if allowed to droop excessively. In extreme cases, material may be pulled into the vacuum motor causing damage to the motor.

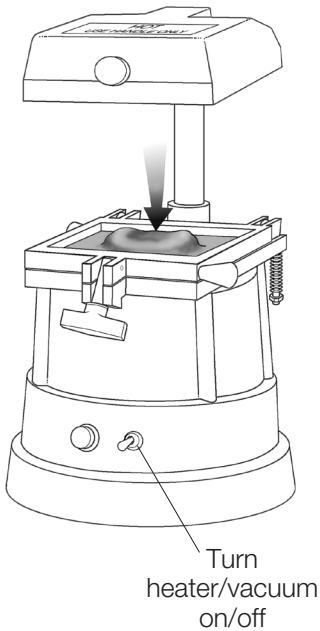
Thinner materials (.040 or less) require less sag than the thicker materials (.150+)

Caution: DO NOT leave the machine unattended when heating materials.



Type of Material	Typical Heating Time	Typical Vacuum Time
.020" Coping and Splint	1 min. 30 sec.	10 to 15 sec.
.040" Bleaching Tray	1 min. 30 sec.	15 to 20 sec.
.080" Baseplate	2 min.	15 to 20 sec.
.100" Tray or Mouthguard	2 min. 30 sec.	20 to 25 sec.
.150" Tray or Mouthguard	2 min. 30 sec.	20 to 30 sec.

Times are approximate and should be adjusted according to heater condition and operator experience.

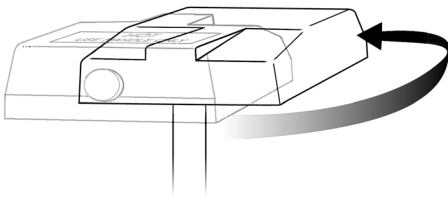


7. Move the switch from the left heating position to the right vacuum position to complete the adaptation. With thicker materials, allow the vacuum to run longer for finer detail.

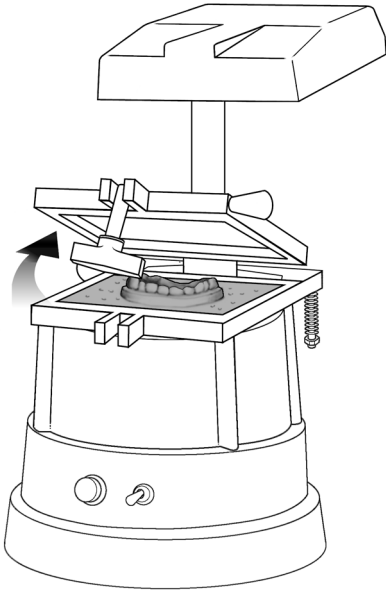
8. Using the round handle attached to the front of the heating unit, swing the heating unit to its furthestmost position at the rear of the machine.

Note: Allow the heating unit time to cool for at least 10 minutes between operations (or placement near a wall).

Do not allow the heating element to rest over the handles at anytime as they become very hot.



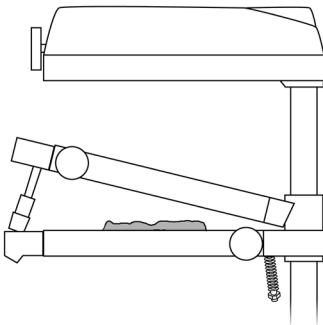
WARNING: The heater should be operated for a maximum of 5 minutes followed by a maximum 1 minute vacuum time. Turn heater switch off before positioning heating unit in rear of machine to avoid excessive heating of electrical cord. Failure to follow could damage the cord (power cord is not under warranty).



9. Turn off the vacuum motor by moving the switch to the center “off” position. The processed material must cool for approximately 4 minutes before opening the frame. Release the hinged frame knob and open the frame to remove adaptation.

10. Use the frame latch knob to prop open the frame, allowing the gaskets to cool.

11. To remove the cast from the adaptation, first cut away the flat surplus material with scissors. Trim as close to the cast as possible to facilitate handling.



12. A knife or disc (or any grinding wheel suitable for trimming excess acrylic) can be used to cut through the material at the periphery of the cast to separate adaptation from the cast.

Caution: A knife should be used only on the thinner base plate or clear material.

13. Complete detailed trimming with scissors, razor or electric knife, producing professional finished results.

TROUBLESHOOTING GUIDE

1. Insufficient detail: This is often caused by improper heating or vacuum time. If your adaptation does not show enough detail, allow the material to heat longer prior to forming and/or increase vacuum time.
 2. Material creasing or tearing: This is a result of excessive heat. Reduce the heating time. When using materials .040 or thinner, it is important to stabilize the heater temperature by pre-heating the unit for approximately 3 minutes prior to forming.
 3. Material sticking to the model: Spray the model with a small amount of silicone lubricant prior to forming.
 4. Material sticking to the gaskets: Replace the gaskets.
 5. Material stuck in the vacuum holes: This can occur if the material is overheated and pulled into and through the vacuum holes. Allow materials to cool completely. Attempt to pull the material from the platform. If the material is not protruding through the vacuum holes, gently pry the material off.
 6. Bubbles appearing in clear material during heating: This is caused by the absorption of moisture from the air. Bubbles can be removed from unformed material by placing it into a warm oven (160°F) for approximately one hour. Store materials in a Ziploc bag with desiccant gel and in a cool dry area.
 7. Heater does not function: Ensure power cord is properly connected to the wall outlet and rear of The Machine III. If the indicator light does not illuminate when turned “on”, disconnect the power cord from the wall outlet and rear and check the fuse. Replace if necessary. (see Page 11 for fuse replacement instructions).
- If the Machine III remains non-operational, please call your dental distributor for further assistance.

CLEANING AND MAINTENANCE

1. A slightly damp cloth can be used as necessary to wipe down the unit. No other cleaning should be required.
2. Periodically inspect the power cord for wear (ie., fraying, etc.) and check the plug to insure that the connectors are fully seated.
3. Fuse Replacement - The power inlet on the back of The Machine III incorporates a fuse. The fuse is rated for proper operation under normal conditions. If the fuse needs to be replaced, an extra fuse is included for your convenience. It is located in the fuse holder. First, remove the cord assembly from the unit by unplugging from the electrical outlet and from the unit itself. Use a flat bladed screwdriver to gently pry the fuse holder from the inlet at the area indicated by the fuse symbol. Remove the fuse and replace it with the one located in the holder. It is important to obtain spare fuses of the same type for replacement (15 Amp for the 110V and 6.3 Amp for the 220V unit). Use of a different fuse may cause unit failure and will void the product warranty.
4. Only the finest quality materials are incorporated in the Machine III. However, after years of use, the heater or some other part may need replacement. If a part requires replacement, please contact your authorized Machine III dental distributor.

WARRANTY TERMS AND CONDITIONS

The Machine III Precision Vacuum Former is warranted for its designated use, in accordance with the instructions, against original defects in material and workmanship for a period of 60 months* from date of purchase. This warranty extends only to the original purchaser, provided the warranty registration card is completed and returned to the Machine III Service Center within two weeks of purchase date. Gaskets, fuse, power cord, and broken castings are excluded from warranted parts.

*Warranty void if unit is tampered with.

Note: If the equipment is not used in the manner specified by the manufacturer, the protection provided by the equipment may be impaired.

REPAIRS

Contact your authorized Machine III dental distributor for repair procedure. For troubleshooting or specific questions, please contact:

SERVICE CENTER

52 West King Street

Myerstown, PA 17067

For Technical Assistance:

Phone: 1-800-333-3131 or 856-663-4700

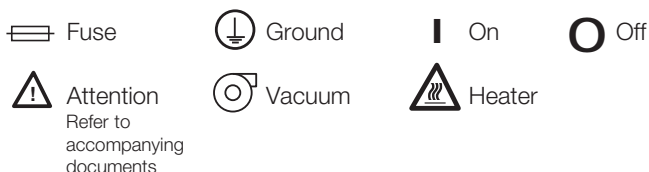
When returning the Machine III for repairs, ensure adequate packaging is used. Manufacturer will not be responsible for repairs caused by shipping damage. Do NOT pack The Machine III in styrofoam chip material for shipping. The material may lodge into the heater mechanism and become a fire hazard. Remove handles.

ENVIRONMENTAL CONDITIONS FOR OPERATION AND STORAGE

The heater in the vacuum forming machine may absorb humidity/moisture when stored for a period of time. This may penetrate to the internal connectors and cause the unit to short circuit your GFCI outlet. If this occurs, we recommend using the machine on a non-GFCI outlet for approximately twelve cycles. This will enable the moisture to dissipate.

This situation is rare and is not cause for an alarm. Should you wish to discuss it further, please contact The Machine III Service Center at: 1-800-333-3131.

THE MACHINE III SYMBOL KEY



TECHNICAL SPECIFICATIONS

Model Number 101	Model Number 202	Model Number 202CE
115 V~	230 V~	230 V~
50/60 Hz	50/60 Hz	50/60 Hz
1475 W	1475 W	1475 W

The Vacuum Forming Machine is intended for indoor use in a standard dental laboratory environment.

Ambient Operating Temperature: 5-40°C

Relative Humidity: Max 80%

Altitude: Maximum 2,000m

Installation Category: Nominally II

Pollution Degree: Nominally 2

Mains Supply Fluctuations not to exceed

+/- 10% of the nominal voltage.

ES **DESEMPAQUETADO Y CONFIGURACIÓN**

Machine III necesita una preparación mínima antes de usarla. Solo hacen falta unos sencillos pasos que son necesarios antes de utilizar la unidad:

1. Asas

Quite el tapón rojo del agujero del asa izquierda. Este tapón se utiliza para que el asa permanezca bloqueada en su sitio durante el envío. El propósito de la espiga en la mano izquierda es la de actuar como un pasador de bloqueo para mantener las placas en su posición. Asegúrese de que el pasador de bloqueo no se caiga del agujero mientras se quita el tapón. Si el pasador salga por el agujero, asegúrese de que se instala con la punta blanca hacia el puesto. Inserte las dos asas en los agujeros del asa en la parte trasera del marco con bisagra. Al elevar las placas a la posición superior para la calefacción, gire la manija izquierda para bloquear las placas en su lugar. Girar el mango de distancia para aflojar y bajar las placas. Hay un pomo con forma de lágrima que funciona como una placa guía material y que se puede insertar en el agujero izquierdo o derecho según el usuario.

2. Ubicación

Machine III debería situarse en un contador abierto, a 10 cm de la toma de corriente conectada a tierra apropiada.

PRECAUCIÓN: La unidad no debería situarse a menos de 15 cm de las paredes, armarios u otra equipación mientras esté en funcionamiento por la temperatura que emite la calefacción. Esta unidad no debe situarse bajo ningún concepto bajo el armario o dentro de él.

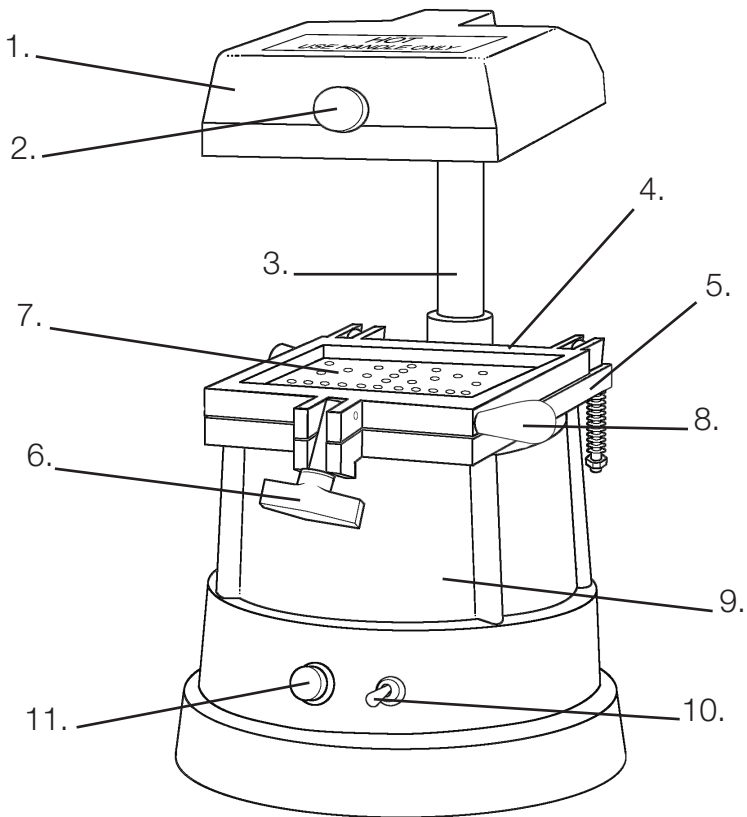
3. Cable de alimentación

Enchufe el cabo hembra del cable en la entrada de electricidad situada en la parte posterior de la unidad y el cabo macho en una toma de corriente conectada a tierra. El cable de alimentación de la unidad no debería situarse cerca del calefactor o sobre cualquier otra superficie caliente.

THE MACHINE III

Moldeadora de vacío de precisión

IDENTIFICACIÓN DE LAS PARTES



1. UNIDAD DE CALOR

2. ASA DE LA UNIDAD DE CALOR

3. PUESTO

4. PLATO SUPERIOR - MUELLE DE CARGA

5. PLATO INFERIOR

6. CERROJO (POMO EN "T")

7. PLATO DE VACÍO

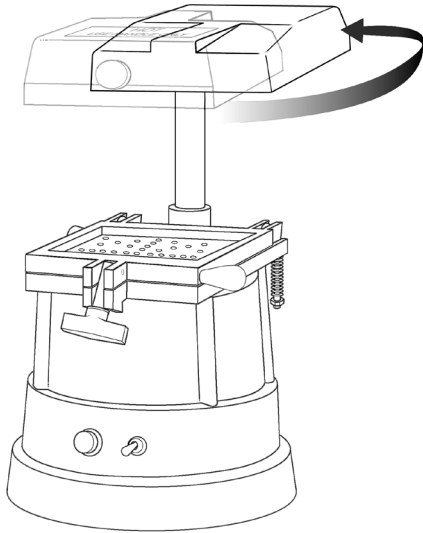
8. ASA EN FORMA DE LÁGRIMA

9. FUNDICIÓN BASE

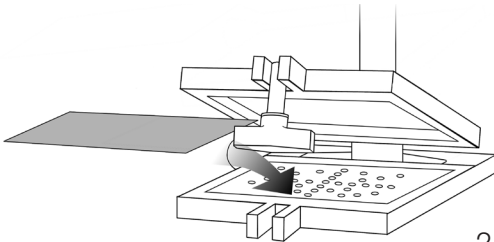
10. INTERRUPTOR DE CALOR Y VACÍO

11. LUZ INDICADORA DE CALOR

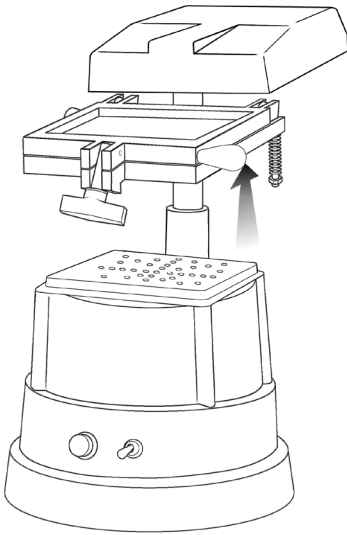
INSTRUCCIONES DE FUNCIONAMIENTO BÁSICO



1. Ponga la unidad de calor en la parte trasera y encienda el interruptor llevándolo hacia la izquierda del calentador. La luz de calor se encenderá cuando se encienda el calentador. Tarda unos tres minutos en precalentarse. Precalentar la unidad antes de su uso es especialmente importante cuando utilice materiales de ,040 o más finos. Estos materiales se calientan muy deprisa y es mejor estabilizar primero la temperatura del calentador.

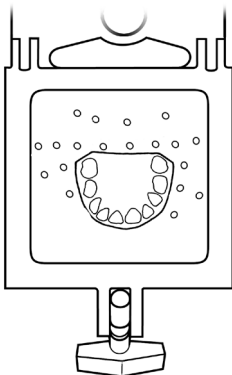
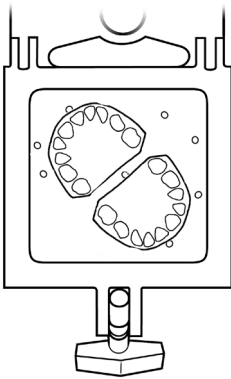


2. Abra el plato superior tirando del cerrojo. Sitúe una hoja del material de moldeado en el plato inferior. Baje el plato superior sobre el material y eche el cerrojo.



3. Agarre las dos asas situadas en la parte trasera del plato inferior y levante los platos superiores e inferiores, gire el asa izquierda para bloquear el pasador en el puesto. Que mantendrá las asas en la posición superior.

4. Sitúe el molde (piedra, yeso, etc.) en el plato de vacío. Machine III puede alojar uno o dos moldes de tamaño medio. Si utiliza dos moldes, sitúelos en diagonal tacón contra tacón en el plato de vacío. Deje un pequeño espacio entre los moldes.



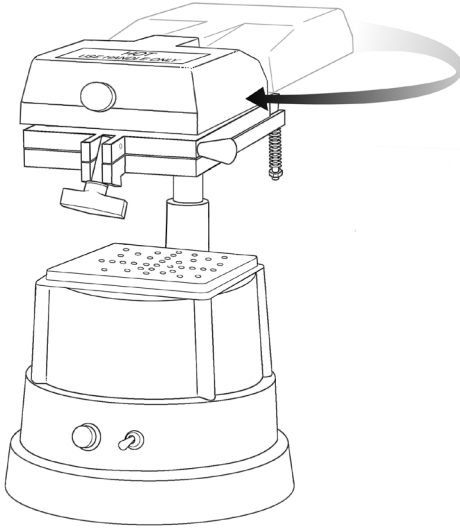
Guía de preparación de los modelos:

Base — La base del modelo debería ser tan fina como práctica, una base excesiva podría resultar en el estrechamiento del material o en una disminución de los detalles.

Piedra — Recomendamos una piedra de calidad o yeso que produzca un modelo denso y duro. Los materiales más blandos pueden tener polvo. Este polvo se puede sedimentar en el aparato terminado.

Restos — Los laterales cortados deben ser planos y se deben cortar en un ángulo de 90°. Los restos y los ángulos que se corten en la base, crearán un bloqueo del vacío y dificultarán la creación de un aparato detallado. Si fuera posible, es mejor alejar la base de calentamiento un par de grados. Esto se realiza durante la parte de recorte.

RECUERDE: No utilice moldes mojados o demasiado spray de silicona ya que el vacío aspirara la humedad y puede provocar daños en el motor.



5. Ponga la unidad de calor en posición directamente sobre el material.

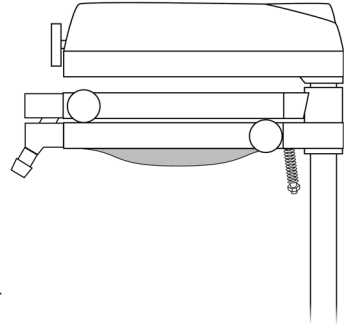
(Precaución: Mueva la unidad de calor utilizando solo el asa indicada.)

6. Preste atención al material mientras se calienta. Cuando el material empiece a caerse, baje el plato del material

al molde de la plataforma de vacío (utilice las asas ubicadas en la parte trasera del plato de material, girar ligeramente la manija izquierda para desacoplar el pasador de bloqueo).

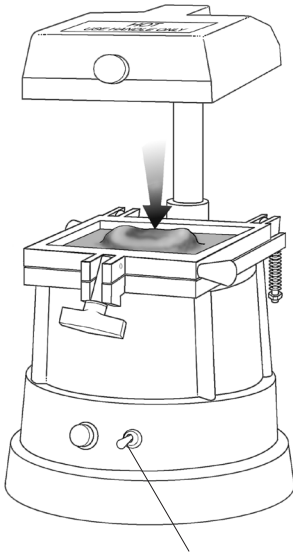
Recuerde: El material se calienta rápidamente y no sera útil si pende demasiado. En casos extremos, puede llevar al material al motor de vacío y provocar daño en el motor. Los materiales más finos (,040 o menos) exigen menos caída que los materiales más espesos (,150 o más)

Precaución: Mueva la unidad de calor utilizando solo el asa indicada.)

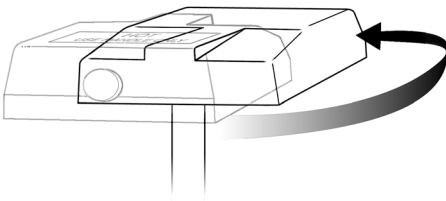


Type of Material	Typical Heating Time	Typical Vacuum Time
.020" Coping and Splint	1 min. 30 sec.	10 to 15 sec.
.040" Bleaching Tray	1 min. 30 sec.	15 to 20 sec.
.080" Baseplate	2 min.	15 to 20 sec.
.100" Tray or Mouthguard	2 min. 30 sec.	20 to 25 sec.
.150" Tray or Mouthguard	2 min. 30 sec.	20 to 30 sec.

Los tiempos son aproximados y deberían ajustarse acorde a las condiciones del calentador y a la experiencia del operario.



Encienda/apague
el calentador/vacío



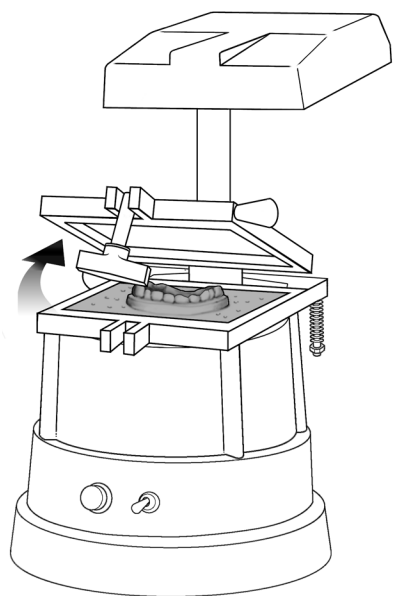
7. Pase el interruptor de la posición de calor izquierda a la posición de vacío de la derecha para terminar la adaptación. Con materiales más anchos, deje que el vacío funcione durante más rato para obtener detalles más finos.

8. Utilice el asa redonda pegado al frente de la unidad de calor, ponga la unidad de calor en su posición más alejada en la parte trasera de la máquina.

Recuerde: Deje que la unidad de calor se enfríe durante al menos 10 minutos entre operaciones (o sitúela junto a una pared).

No deje que el elemento de calor descansa en las asas en ningún momento ya que se calientan mucho.

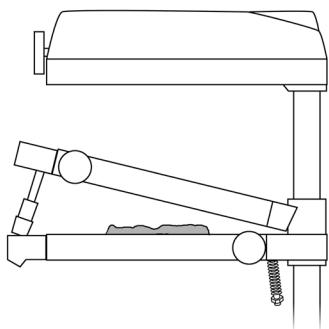
AVISO: Debe utilizar el calentador durante un máximo de 5 minutos seguidos de un máximo de 1 minuto de tiempo de vacío. Apague el calentador antes de poner la unidad de calor en la parte trasera de la máquina para evitar que el cable eléctrico se sobrecaliente. Si no lo hace así, podría dañar el cable (el cable de alimentación no está cubierto por la garantía).



9. Apague el motor de vacío moviendo el interruptor del centro "off" posición. El material procesado debe enfriarse durante al menos 4 minutos antes de abrir el marco. Suelte el pomo del marco con bisagra y abra el marco para quitar el adaptador.

10. Utilice el pomo del marco del cerrojo para sostener el marco y que así se enfríen las tapas.

11. Quite el molde del adaptador, cortando primero el exceso de material plano con unas tijeras. Corte lo más cerca del molde como sea posible para facilitar el manejo.



12. Puede utilizar un cuchillo o un disco (o cualquier muela abrasiva que sirva para cortar exceso de acrílico) para cortar los materiales sobrantes alrededor del molde para separar el adaptador del molde.

Precaución: Debería utilizar un cuchillo solo para cortar el plato base más fino o un material transparente.

13. Termine los recortes en detalle con tijeras, cuchillas o cuchillos eléctricos para obtener un resultado profesional.

GUÍA DE RESOLUCIÓN DE PROBLEMAS

1. Detalles insuficientes: A menudo, es consecuencia de un calentamiento inadecuado o del tiempo de vacío. Si el adaptador no muestra suficientes detalles, deje que el material se caliente durante más tiempo antes de modelarlo o aumente el tiempo de vacío.

2. El material se dobla o se rasga: Demasiado calor provoca este efecto. Reduce el tiempo de espera. Cuando utilice materiales de ,040 o más finos, es importante estabilizar la temperatura del calentador precalentando la unidad durante unos 3 minutos antes de modelarlo.

3. El material se pega al modelo: Pulverice el modelo con un poco de lubricante de silicona antes de modelarlo.

4. El material se pega a las tapas: Cambie las tapas.

5. El material se pega a los agujeros del vacío: Esto puede pasar si el material está sobrecalentado y ha entrado dentro de los agujeros de vacío. Deje que los materiales se enfríen del todo. Intente tirar del material de la plataforma. Si el material no sobresale a través de los agujeros de vacío, levante suavemente el material.

6. Aparecen burbujas en el material transparente durante el calentamiento: Eso se debe a la absorción de humedad del aire. Puede quitar las burbujas del material sin modelar poniéndolo en un horno caliente (71° C) durante aproximadamente una hora. Almacene los materiales en una bolsa Ziploc con un gel desecante y en una zona fría y seca.

7. El calentador no funciona: Asegúrese de que el cable de alimentación está enchufado a la pared y a la parte trasera de Machine III. Si la luz del indicador no se enciende al ponerlo en «on», desconecte el cable de alimentación del enchufe de la pared y de la máquina y compruebe los fusibles. Cámbielo si fuera necesario. (vea la página 22 para las instrucciones de sustitución de fusibles).

LIMPIEZA Y MANTENIMIENTO

1. Puede utilizar un trampo húmedo para limpiar la unidad. No es necesario otro tipo de limpieza.

2. De forma periódica, inspeccione el cable de alimentación para ver que no está desgastado (deshilachado) y compruebe el enchufe para asegurarse de que los conectores están en su sitio.

3. Sustitución del fusible - La válvula de alimentación de la parte trasera de Machine III tiene un fusible. Este fusible está clasificado para su uso en situaciones normales. Si hay que cambiar el fusible, incluimos un fusible extra. Está situado en el recipiente del fusible. Primero, quite el ensamblaje del cable de la unidad desconectándolo de la salida eléctrica y de la unidad en sí misma. Utilice un destornillador plano para desatornillar el recipiente de los fusibles de la válvula en la zona que tiene un símbolo de un fusible. Quite el fusible y sustitúyalo por el otro que hay dentro del recipiente. Es importante tener fusibles extras del mismo tipo para las sustituciones (15 Amp para el de 110V y 6.3 para la unidad de 220V). Si utiliza otro tipo de fusible, puede provocar fallos en la unidad y cancelará la garantía del producto.

4. Machine III tiene solo los materiales de la mejor calidad. No obstante, después de años de uso, tal vez hay que cambiar el calentador o alguna otra parte. Si una de las partes necesita sustitución, contacte con su distribuidor dental autorizado de Machine III.

TÉRMINOS Y CONDICIONES DE LA GARANTÍA

La Moldeadora de vacío de precisión Machine III tiene garantía por defectos originales en el material y la obra durante un período de 60 meses* desde su fecha de compra, siempre y cuando se sigan las instrucciones de uso. Esta garantía se emite solo para el comprador original siempre que se rellene la tarjeta de registro de garantía y se envíe al Centro de servicio de Machine III en las dos semanas siguientes de la fecha de compra. Las partes cubiertas por la garantía no incluyen las tapas, los fusibles, el cable de alimentación ni los moldes rotos.

*La garantía no surtirá efecto si manipula la unidad.

Recuerde: Si no utiliza el equipo de la forma especificada por el fabricante, puede verse afectada la protección que da el equipo.

REPARACIONES

Si necesita reparaciones, contacte con su distribuidor dental autorizado de Machine III. Si tiene preguntas específicas o necesita ayuda con la resolución de problemas, contacte con:

SERVICE CENTER

52 West King Street

Myerstown, PA 17067

Para asistencia técnica:

Teléfono: 1-800-333-3131 o 856-663-4700


Cuando envíe Machine III para reparaciones, asegúrese de que utiliza el paquete adecuado. El fabricante no será responsable de las reparaciones causadas por los daños de envío. NO empaquete Machine III en material de poliestireno extruido para los envíos. El material se puede incrustar en el mecanismo del calentador y provocar un incendio. Quite las asas.

CONDICIONES AMBIENTALES DE USO Y ALMACENAMIENTO

El calentador de la máquina modeladora de vacío puede absorber la humedad si permanece almacenado durante mucho tiempo. Esto puede penetrar en los conductos de los conectores internos y provocar que la unidad cortocircuite en la salida GFCI. Si es así, recomendamos que utilice la máquina en una salida sin GFCI durante, aproximadamente, doce ciclos. Esto hará que la humedad se disipe.

Esta situación no es frecuente y no debe alarmarse. Si tiene más preguntas al respecto, contacte con el Centro de Servicio de Machine III en el: 1-800-333-3131.

LEYENDA DE SÍMBOLOS DE MACHINE III

 Fusible

 Tierra

 Encendido

 Apagado

 Atención
Consultar los
documentos
anexos

 Vacío

 Calentador

ESPECIFICACIONES TÉCNICAS

Número del modelo 101

115 V~

50/60 Hz

1475 W

Número del modelo 202

230 V~

50/60 Hz

1475 W

Número del modelo 202CE

230 V~

50/60 Hz

1475 W

La Máquina Modeladora en vacío solo se puede usar dentro de un laboratorio dental estándar.

Temperatura de funcionamiento ambiente: 5-40°C

Humedad relativa: Max 80 %

Altitud: Máximo 2 000 m

Categoría de instalación: Nominalmente II

Grado de contaminación: Nominalmente 2

Las fluctuaciones de suministro principales no superan +/- 10 % del voltaje nominal.

Le Machine III exige une préparation minimale avant utilisation. Quelques étapes simples sont requises avant de faire fonctionner l'appareil :

1. Poignées

Retirez l'embout rouge du trou de la poignée gauche. Cet embout sert à maintenir la goupille de verrouillage de la poignée en place pendant le transport. Aux fins de la broche dans la main gauche est d'agir comme une goupille de verrouillage pour maintenir les plaques en position. Assurez-vous que la goupille ne tombe pas du trou lorsque vous retirez l'embout. Si la broche sort du trou, vérifiez qu'il est installé avec la pointe blanche vers le poste. Insérez les deux poignées dans les trous à l'arrière du châssis articulé. When raising the plates to the upper position for heating, turn left handle to lock the plates in place. Turn the handle away to loosen and lower the plates. Un bouton en forme de goutte est fourni pour servir de guide pour la plaque de matériau et peut être inséré dans le trou avant gauche ou droite, au choix de l'utilisateur.

2. Placement

Le Machine III doit être placé sur un comptoir ouvert, à moins de 1 m d'une prise électrique standard reliée à la terre.

ATTENTION : Pendant son fonctionnement, l'appareil ne doit pas être placé à moins de 1,5 m des murs, meubles ou autres équipements en raison de la température dégagée par le radiateur. Ne jamais faire fonctionner cet appareil dans ou sous un meuble.

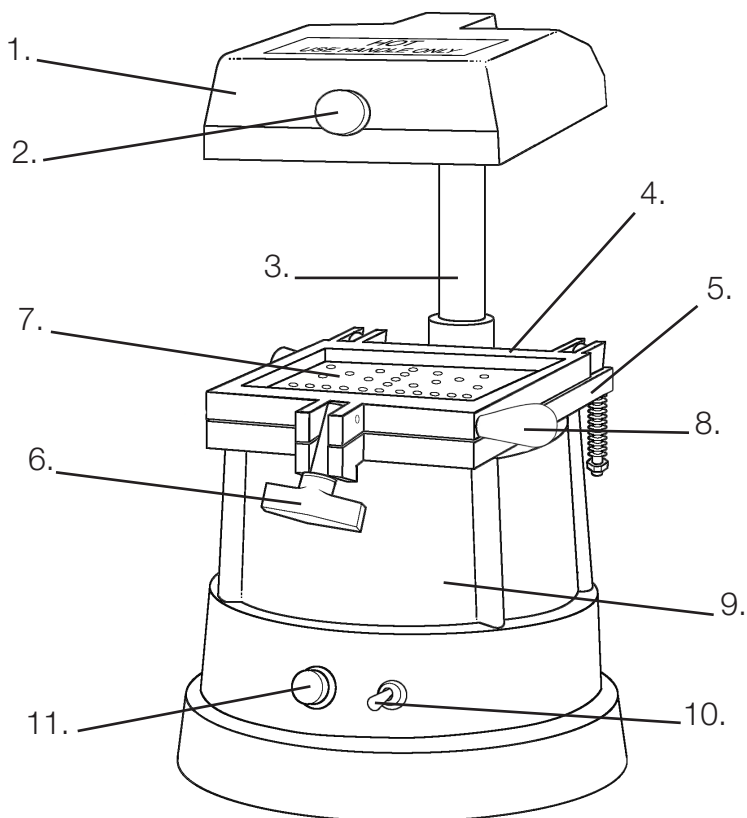
3. Cordon d'alimentation

Branchez la fiche femelle du cordon dans la fiche électrique située à l'arrière de l'appareil et la fiche mâle dans une prise électrique correctement reliée à la terre. Le cordon d'alimentation de l'appareil ne doit pas être placé à proximité du radiateur ni de toute autre surface chaude.

THE MACHINE III

Appareil à moulage de précision par aspiration

IDENTIFICATION DES PIÈCES



1. RADIATEUR

2. POIGNÉE DU RADIATEUR

3. MONTANT

4. PLAQUE SUPÉRIEURE -
SUR RESSORT

5. PLAQUE INFÉRIEURE

6. LOQUET (BOUTON EN « T »)

7. PLAQUE D'ASPIRATION

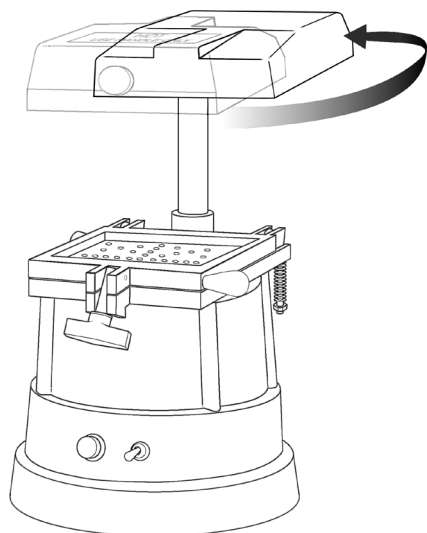
8. POIGNÉE EN FORME DE GOUTTE

9. MOULE DE LA BASE

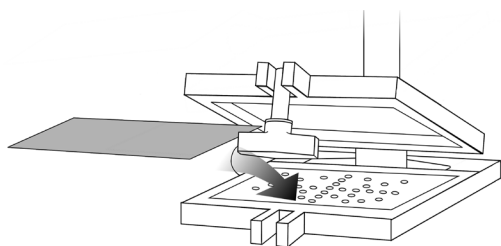
10. INTERRUPTEUR DU RADIATEUR
ET DE L'ASPIRATEUR

11. VOYANT DU RADIATEUR

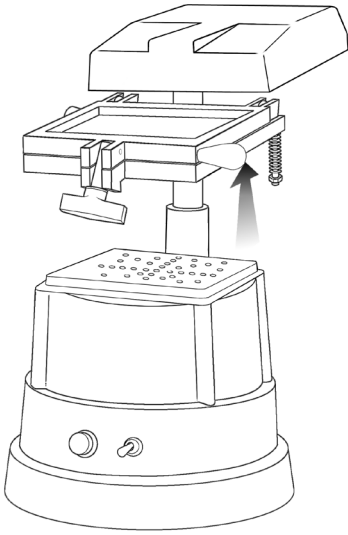
CONSIGNES DE FONCTIONNEMENT DE BASE



1. Faites pivoter le radiateur vers l'arrière et basculez l'interrupteur vers la gauche pour allumer le chauffage. Le voyant du radiateur s'allumera lors du chauffage. Le préchauffage nécessite environ trois minutes. Le préchauffage de l'appareil avant utilisation est particulièrement important avec des matériaux de 0,04 mm d'épaisseur ou plus fins. Ces matériaux chauffent très vite et il est préférable que la température du radiateur soit stabilisée au préalable.

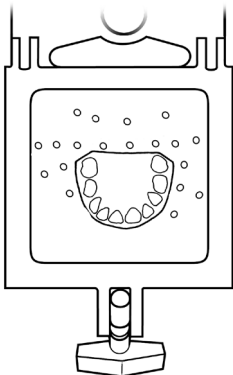
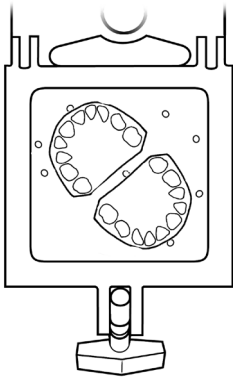


2. Soulevez la plaque supérieure en tirant sur le bouton de verrouillage. Placez une feuille de matériau de moulage sur la plaque inférieure. Rabaissez la plaque de matériau supérieure sur celui-ci et engagez le loquet.



3. Attrapez les deux poignées situées à l'arrière de la plaque inférieure et soulevez les plaques, puis faites tourner la poignée gauche pour engager la goupille de verrouillage dans le montant. Cela maintiendra les deux plaques en position supérieure.

4. Placez le moule (pierre, gypse, etc.) sur la plaque d'aspiration. Le Machine III peut loger un ou deux moules de taille moyenne. En cas d'utilisation de deux moules, placez-les côte à côte en diagonale sur la plaque d'aspiration. Conservez un petit espace entre les deux moules.



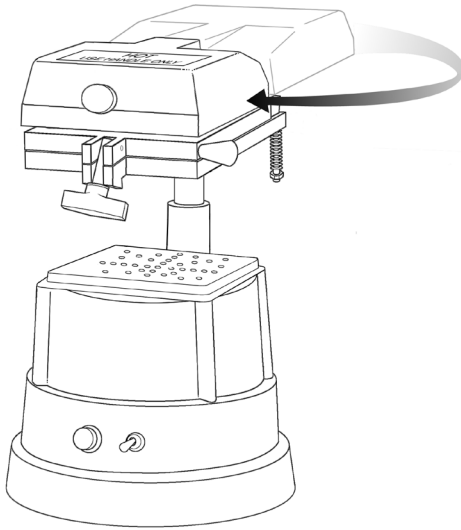
Directives de préparation du modèle :

Base — La base du modèle doit être aussi fine que possible - une base trop épaisse peut entraîner l'affinage du matériau ou une diminution des détails.

Pierre — Une pierre ou un gypse de qualité est recommandé, pour produire un modèle dur, dense. Des matériaux plus souples peuvent créer des poussières. Ces poussières peuvent se déposer dans le dispositif fini.

Dépouilles — Les bords découpés doivent être plats et taillés à 90°. Les dépouilles et les angles qui pénètrent dans la base créeront une pompe à vide et rendront la production d'un élément détaillé plus difficile. Si possible, il est recommandé que la base soit évasée de quelques degrés. Cela est réalisé pendant la phase de fraisage.

REMARQUE : Ne pas utiliser de moules humides ou trop de silicone en aérosol, car l'humidité sera aspirée et pourrait endommager le moteur.



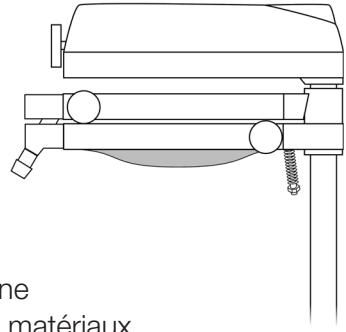
5. Faites pivoter le radiateur en position, bien aligné au-dessus du matériau.
(Attention : Ne déplacez le radiateur qu'à l'aide de la poignée fournie)

6. Observez attentivement le chauffage du matériau. Lorsqu'il commence à s'affaisser, abaissez la plaque de matériau sur le

moule sur la plaque d'aspiration (utilisez les poignées situées à l'arrière de la plaque de matériau, tourner légèrement la poignée gauche pour dégager la goupille de verrouillage).

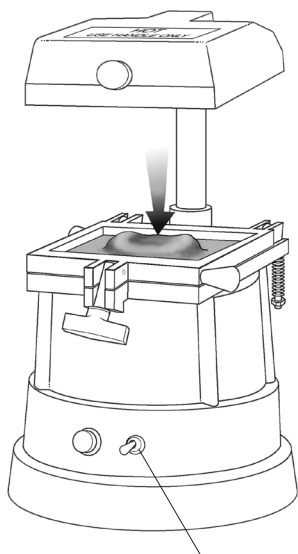
Remarque : Le matériau chauffe rapidement et sera inutile s'il devient trop liquide. Dans des cas extrêmes, le matériau peut même être aspiré dans le moteur et l'endommager. Les matériaux plus minces (0,040 mm ou moins) nécessitent un affaissement moindre que les matériaux épais (plus de 0,150 mm)

Attention : NE LAISSEZ PAS la machine sans supervision lors du chauffage des matériaux.

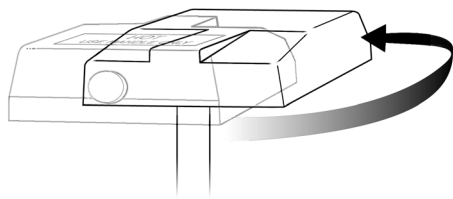


Type of Material	Typical Heating Time	Typical Vacuum Time
.020" Coping and Splint	1 min. 30 sec.	10 to 15 sec.
.040" Bleaching Tray	1 min. 30 sec.	15 to 20 sec.
.080" Baseplate	2 min.	15 to 20 sec.
.100" Tray or Mouthguard	2 min. 30 sec.	20 to 25 sec.
.150" Tray or Mouthguard	2 min. 30 sec.	20 to 30 sec.

Les durées sont approximatives et doivent être ajustées selon l'état du radiateur et l'expérience de l'opérateur.



Allumez/éteignez le radiateur/l'aspirateur



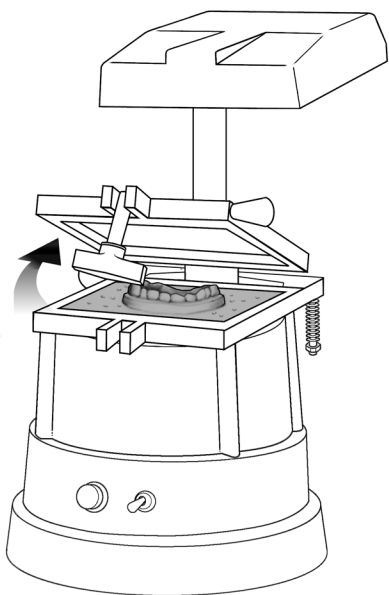
7. Basculez l'interrupteur de la gauche vers la droite, en position d'aspiration, pour compléter l'adaptation. Avec des matériaux plus épais, laissez l'aspirateur fonctionner plus longtemps pour obtenir des détails plus fins.

8. À l'aide de la poignée ronde fixée à l'avant du radiateur, faites pivoter ce dernier dans sa position la plus éloignée à l'arrière de la machine.

Remarque : Laissez au radiateur le temps de refroidir au moins 10 minutes entre chaque utilisation (ou avant de le placer près d'un mur).

Ne laissez pas le radiateur reposer sur les poignées, celles-ci deviendraient extrêmement chaudes.

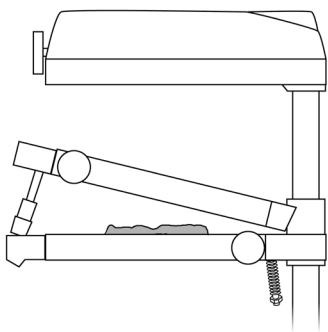
AVERTISSEMENT : Le radiateur doit être activé pendant un maximum de 5 minutes, suivi d'un maximum de 1 minute d'aspiration. Éteignez le radiateur avant de placer celui-ci à l'arrière de la machine pour éviter que le cordon d'alimentation ne chauffe trop. Dans le cas contraire, vous pourriez endommager ce dernier (le cordon d'alimentation n'est pas sous garantie).



9. Éteignez le moteur à vide en déplaçant le commutateur au centre position 'OFF'. Le matériau travaillé doit refroidir pendant environ 4 minutes avant d'ouvrir le châssis. Déverrouillez le bouton du châssis articulé et ouvrez le châssis pour retirer l'adaptation.

10. Utilisez le bouton de verrouillage du châssis pour ouvrir ce dernier, en laissant les joints refroidir.

11. Pour retirer le moule de l'adaptation, découpez d'abord le surplus de matériau à plat avec des ciseaux. Taillez aussi près du moule que possible pour faciliter la manipulation.



12. Un couteau ou un disque (ou tout disque de meulage adapté pour éliminer les excès d'acrylique) peut servir à découper le matériau autour du moule afin d'en séparer l'adaptation.

Attention : N'utiliser un couteau que sur la plaque de base plus fine ou sur du matériau transparent.

13. Terminez le fraisage détaillé avec des ciseaux, un rasoir ou un couteau électrique pour produire une finition de qualité professionnelle.

GUIDE DE DÉPANNAGE

1. Manque de détails : Ce problème est souvent causé par une mauvaise cuisson ou un temps d'aspiration incorrect. Si votre adaptation ne présente pas suffisamment de détails, laissez le matériau chauffer plus longtemps avant le moulage ou augmentez le temps d'aspiration.
2. Le matériau se fissure ou se déchire : il s'agit d'une conséquence d'une chaleur excessive. Réduisez le temps de chauffage. Lors de l'utilisation de matériaux de 0,040 mm d'épaisseur ou moins, il est important de stabiliser la température du radiateur en préchauffant l'appareil pendant environ 3 minutes avant le moulage.
3. Le matériau colle au modèle : pulvérisez un peu de lubrifiant à base de silicone sur le modèle avant le moulage.
4. Le matériau colle aux joints : remplacez les joints.
5. Le matériau est coincé dans les trous d'aspiration : cela peut se produire si le matériau est surchauffé et aspiré dans et à travers les trous d'aspiration. Laissez le matériau refroidir complètement. Puis essayez de le retirer de la plateforme. Si le matériau ne dépasse pas à travers les trous d'aspiration, pliez-le doucement pour le décoller.
6. Des bulles apparaissent dans le matériau transparent pendant le chauffage : cela est causé par l'absorption d'humidité de l'air. Les bulles peuvent être éliminées du matériau non moulé en le plaçant dans un four chaud (71°C) pendant environ une heure. Rangez les matériaux dans un sac Ziploc avec du gel déshydratant et dans un environnement frais et sec.
7. Le radiateur ne fonctionne pas : assurez-vous que le cordon d'alimentation est bien branché à la prise murale et à l'arrière du Machine III. Si le voyant-témoin ne s'allume pas lorsque vous activez le radiateur, débranchez le cordon d'alimentation de la prise murale et de l'arrière de l'appareil, puis vérifiez le fusible. Remplacez ce dernier si nécessaire. (voir les consignes de remplacement du fusible en page 33).

Si le Machine III ne fonctionne toujours pas, veuillez contacter votre distributeur de matériel dentaire pour obtenir une assistance supplémentaire.

NETTOYAGE ET ENTRETIEN

1. Un chiffon légèrement humide peut servir à nettoyer l'appareil si nécessaire. Aucun autre nettoyage ne devrait être requis.

2. Vérifiez régulièrement l'état du cordon d'alimentation (effilochage, etc.) et vérifiez la prise pour vous assurer que les broches sont bien enfoncées.

3. Remplacement de fusible - Le bloc d'alimentation à l'arrière du Machine III intègre un fusible. Celui-ci est calibré pour un bon fonctionnement dans des conditions normales. Si le fusible doit être remplacé, un fusible supplémentaire est inclus pour votre commodité. Il est situé dans le porte-fusible. Retirez d'abord le cordon de l'appareil en le débranchant de la prise murale et de l'appareil. À l'aide d'un tournevis plat, pliez doucement le porte-fusible depuis l'insert situé au niveau de la zone indiquée par le symbole de fusible. Retirez le fusible et remplacez-le par celui situé dans le porte-fusible. Il est important que les fusibles de rechange soient du même type (15 A pour la version 110V et 6,3 A pour la version 220V). L'utilisation d'un fusible de calibre différent peut causer une panne de l'appareil et annulera la garantie du produit.

4. Seuls les matériaux de la meilleure qualité sont utilisés dans la fabrication du Machine III. Cependant, après des années d'utilisation, il vous faudra peut-être remplacer le radiateur ou d'autres pièces. Si une pièce doit être remplacée, veuillez contacter votre distributeur dentaire Machine III agréé.

CONDITIONS DE GARANTIE

L'appareil à moulage de précision par aspiration Machine III est garanti dans le cadre d'une utilisation conforme à son objectif de conception, conformément aux consignes, contre tout défaut d'origine de pièce ou de main d'oeuvre, pour une période de 60 mois* à compter de la date de l'achat. Cette garantie ne s'applique qu'à l'acheteur d'origine, sous réserve de remplir la carte d'enregistrement et de la renvoyer au centre de dépannage du Machine III dans les deux semaines suivant la date de l'achat. Les joints, fusibles, cordon d'alimentation et moules cassés sont exclus des pièces sous garantie.

*Garantie nulle en cas d'altération de l'appareil.

Remarque : Si l'appareil n'est pas utilisé conformément aux spécifications du fabricant, la protection fournie par celui-ci peut être compromise.

RÉPARATIONS

Veillez contacter votre distributeur de matériel dentaire Machine III pour connaître la procédure de réparation. Pour le dépannage ou en cas de questions, veuillez contacter :

CENTRE DE DÉPANNAGE

52 West King Street

Myerstown, PA 17067

Pour toute assistance technique :

Téléphone : 1-800-333-3131 ou 856-663-4700

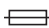
Lors du renvoi du Machine III pour réparation, assurez-vous d'utiliser un emballage approprié. Le fabricant ne saura pas responsable des réparations causées par l'endommagement lors du transport. N'EMBALLEZ PAS le Machine III dans des copeaux de mousse de polystyrène pour son transport. Ces copeaux iront se loger dans le mécanisme du radiateur et créeront un risque d'incendie. Retirez les poignées.

ENVIRONNEMENT D'UTILISATION ET DE RANGEMENT

Le radiateur de l'appareil à moulage par aspiration peut absorber l'humidité lorsqu'il est rangé pendant de longues périodes. Celle-ci peut pénétrer dans les circuits internes et créer un court-circuit au niveau de la prise GFCI. Si cela se produit, nous recommandons d'utiliser l'appareil sur une prise non GFCI pendant environ 12 cycles. Cela permettra d'évacuer l'humidité.

Cette situation est rare et ne constitue pas un danger. Si vous souhaitez plus de détails, veuillez contacter le centre de dépannage Machine III au : 1-800-333-3131.

THE MACHINE III SYMBOL KEY

 Fusible

 Masse

 Allumé

 Éteint

 Attention

Reportez-vous à
la documentation
jointe

 Aspirateur

 Radiateur

SPÉCIFICATIONS TECHNIQUES

Modèle n°101

115 V~
50/60 Hz
1475 W

Modèle n°202

230 V~
50/60 Hz
1475 W

Modèle n°202CE

230 V~
50/60 Hz
1475 W

L'appareil de moulage par aspiration est conçu pour un usage en intérieur seulement, dans un environnement de cabinet dentaire standard.

Température ambiante de fonctionnement : 5-40°C

Humidité relative : 80 % max.

Altitude : 2 000 m max.

Catégorie d'installation : nominale II

Niveau de pollution : Nominal 2

Les variations du courant secteur ne doivent pas dépasser +/- 10 % de la tension nominale.

Die Nutzung von The Machine III erfordert nur minimale Vorbereitung. Vor dem Betrieb des Gerätes, müssen ein paar einfache Schritte ausgeführt werden:

1. Handgriffe

Entfernen Sie die rote Kappe von der Öffnung an dem linken Handgriff. Diese Kappe wird dazu verwendet, den Handgriffssperrbolzen beim Transport festzuhalten. Der Bolzen im linken Handgriff ist dazu da, um als Sperrbolzen zu dienen, der die Platten in ihrer Position hält. Stellen Sie sicher, dass der Bolzen nicht aus der Öffnung fällt, wenn Sie die Kappe entfernen. Falls der Bolzen aus der Öffnung heraustritt, sorgen Sie dafür, dass er mit der weißen Spitze auf den Mast zeigend installiert wird. Setzen Sie beide Handgriffe in die Öffnungen für die Handgriffe an der Rückseite des Klapprahmens ein. Wenn die Platten zum Erhitzen in die obere Position gebracht werden, drehen Sie den linken Handgriff, damit die Platten in ihrer Position arretiert werden. Drehen Sie den Handgriff von sich weg, um die Arretierung zu lösen und die Platten zu senken. Es steht ein tropfenförmiger Knauf zum Führen der Werkstoffträgerplatte zur Verfügung, welcher nach Wahl des Anwenders links oder rechts in die vorderen Öffnungen eingesetzt werden kann.

2. Aufstellungsort

The Machine III sollte auf einer offenen Arbeitsplatte, nicht weiter als 10 cm von einer normalen, ordnungsgemäß geerdeten Steckdose entfernt, aufgestellt werden.

ACHTUNG: Das Gerät sollte, aufgrund der Temperaturen, die von der Heizung ausgestrahlt werden, während des Betriebes in einem Abstand von mindestens 15 cm zu Wänden, Schränken oder anderen Gerätschaften aufgestellt sein. Dieses Gerät darf unter keinen Umständen betrieben werden, während es sich in oder unter einem Schrank befindet.

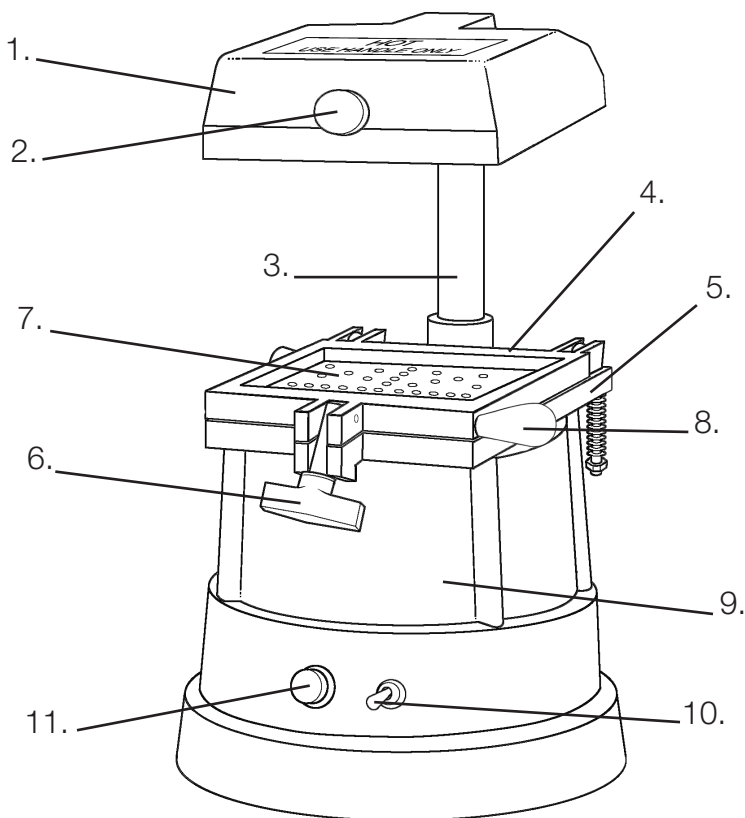
3. Stromkabel

Stecken Sie das weibliche Ende des Kabels in den Stromeingang an der Rückseite des Gerätes und das männliche Ende in eine ordnungsgemäß geerdete Steckdose. Das Stromkabel des Gerätes darf nicht in der Nähe der Heizung oder anderer heißer Flächen verlegt werden.

THE MACHINE III

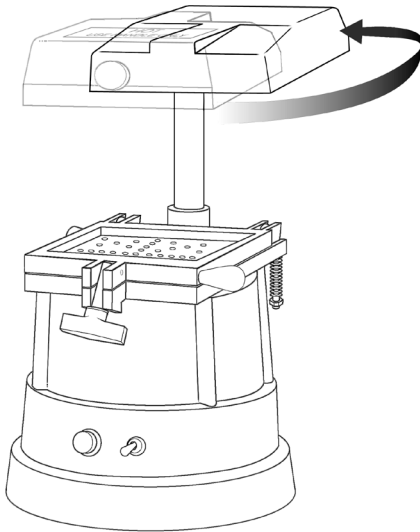
Präzisions-Vakuumformer

MASCHINENBESTANDTEILE

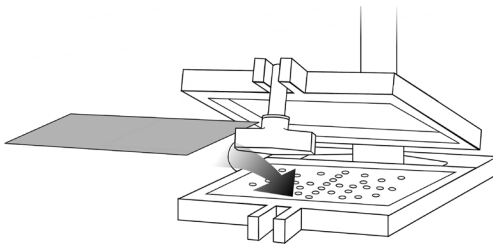


- | | |
|------------------------------|--|
| 1. HEIZEINHEIT | 7. VAKUUMPLATTE |
| 2. HANDGRIFF DER HEIZEINHEIT | 8. TROPFENFÖRMIGER HANDGRIFF |
| 3. MAST | 9. GUSSSOCKEL |
| 4. OBERE PLATTE - GEFEDERT | 10. SCHALTER FÜR HEIZUNG
UND VAKUUM |
| 5. BODENPLATTE | 11. HEIZUNGSANZEIGELEUCHE |
| 6. ARRETIERUNG ("T"-KNAUF) | |

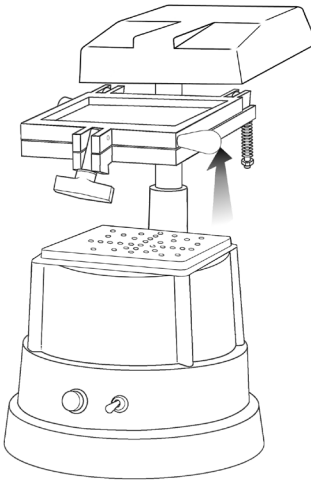
BEDIENUNGSANLEITUNG FÜR DIE GRUNDFUNKTIONEN



1. Schwenken Sie die Heizeinheit nach hinten und drehen Sie den Schalter in die linke Stellung, um die Heizung einzuschalten. Die Heizungsanzeigeleuchte beginnt zu leuchten, wenn die Heizung eingeschaltet ist. Das Vorheizen erfordert ungefähr drei Minuten. Es ist besonders dann wichtig, das Gerät vorzuheizen, wenn Materialien mit einer Stärke von 0,040 oder weniger verwendet werden. Diese Materialien erhitzen sich sehr schnell und das Ergebnis ist dann am besten, wenn die Heizeinheit zuerst temperaturstabilisiert wird.



2. Öffnen Sie die obere Platte, indem Sie an dem Arretierknauf ziehen. Legen Sie eine Platte umformbares Material auf die Bodenplatte. Senken Sie die obere Materialplatte über das Material



3. Ergreifen Sie beide Handgriffe an der Rückseite der Bodenplatte und heben Sie die Platten an, drehen Sie den linken Handgriff, um den Sperrbolzen in den Mast zu schieben. Dadurch werden die Platten in der oberen Position gehalten.

4. Platzieren Sie den Abguss (Stein, Gips, etc.) auf der Vakuumplatte. The Machine III kann ein oder zwei Abgüsse durchschnittlicher Größe verarbeiten. Wenn zwei Abgüsse verwendet werden, platzieren Sie sie Rücken an Rücken, diagonal versetzt auf der Vakuumplatte. Lassen Sie zwischen den Abgüssen einen kleinen Spalt frei.

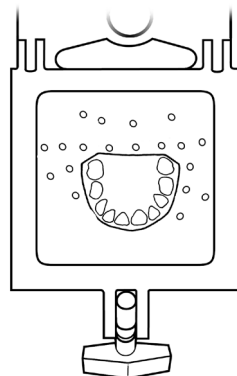
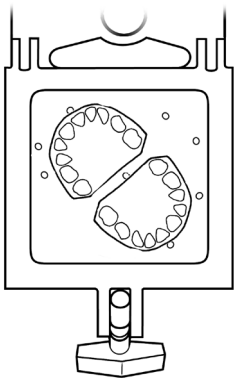
Anleitung zur Vorbereitung der Modelle:

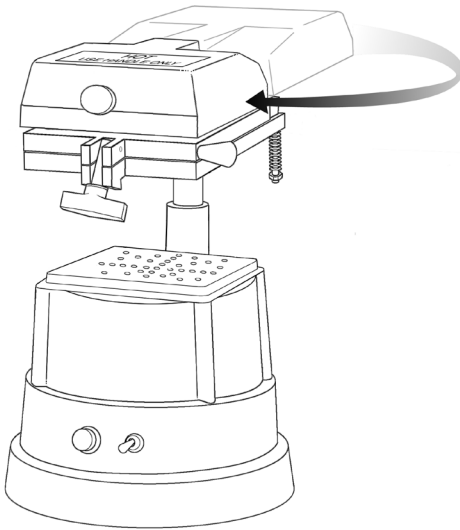
Basis — Die Basis des Modells sollte so dünn sein, wie es praktikabel ist, da eine zu starke Basis zur Ausdünnung des Materials und/oder zu verringerten Details führen kann.

Stein — Es wird empfohlen qualitative hochwertigen Stein oder Gips zu verwenden, der ein hartes, dichtes Modell erzeugt. Weichere Materialien können staubig sein. Dieser Staub kann sich in der fertigen Anwendung niederschlagen.

Unterschnitte — Die gestutzten Seiten sollten flach und in einem 90° Winkel geschnitten sein. Unterschnitte und Winkel, die in die Basis schneiden, erzeugen eine Vakuumsperre und machen es schwer eine detaillierte Anwendung zu erzeugen. Falls möglich, ist es am besten die Basis um ein paar Grad ausbrechen zu lassen. Dies wird während der Beschneidungsphase umgesetzt.

HINWEIS: Verwenden Sie keine feuchten Abgüsse oder ein Übermaß an Silikonspray, da die Feuchtigkeit bei der Vakuumherzeugung aufgesaugt wird und den Motor beschädigen kann. motor damage.





5. Schwenken Sie die Heizeinheit direkt über dem Material in Position.

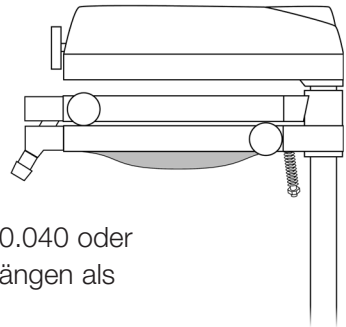
(Achtung: Bewegen Sie die Heizeinheit nur mit dem beigefügten Handgriff).

6. Beobachten Sie das Material sorgfältig beim Erhitzen. Wenn das Material anfängt durchzuhängen, senken Sie die Materialplatte

zu dem Abguss auf der Vakuumplattform herab (Nutzen Sie die Handgriffe auf der Rückseite der Materialplatte. Drehen Sie den linken Handgriff leicht, um den Sperrbolzen zu lösen).

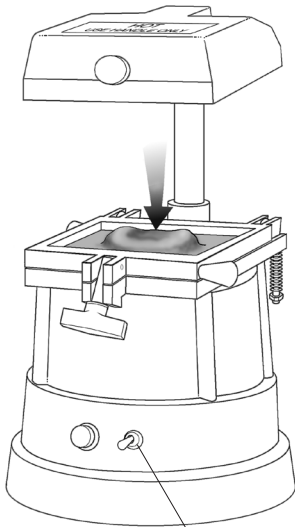
Hinweis: Das Material erhitzt sich schnell und es wird unbrauchbar, wenn man es zu sehr herunterhängen lässt. In extremen Fällen kann Material in den Motor der Vakuumpumpe gezogen werden, was den Motor beschädigen kann. Dünnere Materialien (0.040 oder weniger) erfordern ein geringeres Durchhängen als dickere Materialien (0.150+)

Achtung: Lassen Sie die Maschine beim Erhitzen von Material NICHT unbeaufsichtigt.

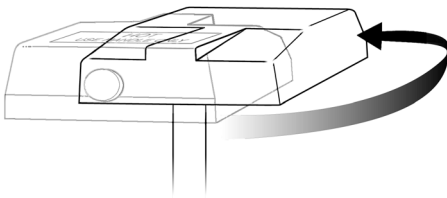


Type of Material	Typical Heating Time	Typical Vacuum Time
.020" Coping and Splint	1 min. 30 sec.	10 to 15 sec.
.040" Bleaching Tray	1 min. 30 sec.	15 to 20 sec.
.080" Baseplate	2 min.	15 to 20 sec.
.100" Tray or Mouthguard	2 min. 30 sec.	20 to 25 sec.
.150" Tray or Mouthguard	2 min. 30 sec.	20 to 30 sec.

Zeitangaben sind Richtwerte, die gemäß des Zustands der Heizeinheit und der Erfahrung des Anwenders angepasst werden sollten.



Heizung/
Vakuum Ein-/
Ausschalten



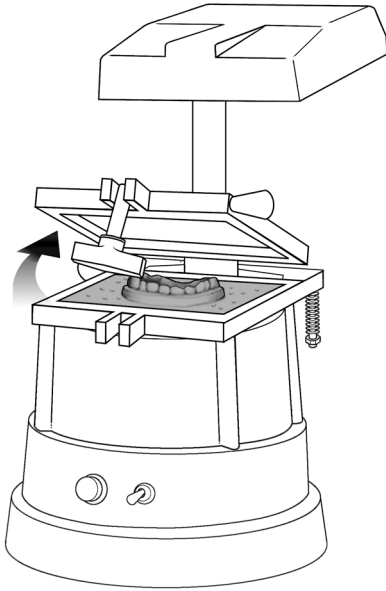
7. Bewegen Sie den Schalter aus der Heizposition links nach rechts in die Vakuumposition, um die Adaptation abzuschließen. Lassen Sie bei dickeren Materialien das Vakuum länger eingeschaltet, um feinere Details zu erhalten.

8. Schwenken Sie die Heizeinheit mithilfe des runden Handgriffs, der an der Vorderseite der Heizeinheit angebracht ist, in die äußerste Position an der Hinterseite der Maschine.

Hinweis: Lassen Sie der Heizeinheit mindestens 10 Minuten Zeit zum Abkühlen zwischen den Anwendungen (oder vor der Aufstellung in der Nähe einer Wand).

Lassen Sie die Heizeinheit niemals über den Handgriffen ruhen, da diese sehr heiß werden.

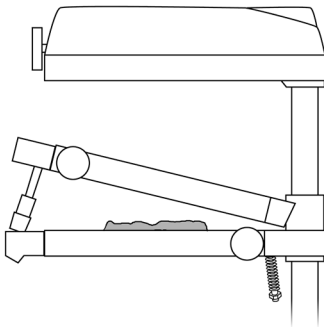
WARNUNG: Die Heizung darf maximal für 5 Minuten gefolgt von maximal einer Minute Vakuumbetrieb genutzt werden. Schalten Sie die Heizung aus, bevor Sie die Heizeinheit zur Hinterseite der Maschine schwenken, um ein Überhitzen des Stromkabels zu vermeiden. Bei Nichtbefolgung kann das Stromkabel beschädigt werden (Für das Stromkabel besteht keine Garantie).



9. Stellen Sie den Vakuummotor ab, indem Sie den Schalter in die mittlere Position stellen. Das verarbeitete Material muss ungefähr 4 Minuten lang abkühlen, bevor der Rahmen geöffnet wird. Entriegeln Sie den Knauf des Klapprahmens und öffnen Sie den Rahmen, um die Adaptation zu entnehmen.

10. Nutzen Sie den Rahmenarretierungsknauf, um den Rahmen zu öffnen, damit die Dichtungen abkühlen können.

11. Um den Abguss aus der Adaptation zu entfernen, schneiden Sie zuerst das flache, überschüssige Material mit Scheren weg. Schneiden Sie so nah wie möglich am Abguss, um die Handhabung zu erleichtern.



12. Man kann ein Messer oder eine Scheibe (oder irgendeine Schleifscheibe, die zum Abschneiden überschüssigen Acryls geeignet ist) verwenden, um durch das Material am Rand des Abgusses zu schneiden, um die Adaptation von dem Abguss zu trennen.

Vorsicht: Ein Messer sollte nur für die dünnere Basisplatte oder für durchsichtiges Material verwendet werden.

13. Vervollständigen Sie das detaillierte Beschneiden mit Schere, Rasierer, elektrischem Messer, um ein Produkt mit professionellem Finish zu bekommen.

FEHLERBEHEBUNG

1. Unzureichender Detailgrad: Dies wird häufig durch ungeeignete Zeiten für Heizen und Vakuum verursacht. Falls Ihre Adaption zu wenig Details aufweist, lassen Sie das Material vor dem Formen länger aufheizen und/oder verlängern Sie die Vakuumzeit.
2. Knittern oder Reißen des Materials: Dies kommt von zu großer Hitze. Reduzieren Sie die Aufheizzeit. Bei der Verwendung von Materialien mit einer Stärke von 0.040 oder weniger, ist es wichtig die Temperatur der Heizeinheit zu stabilisieren, indem man die Einheit vor dem Formen für ungefähr 3 Minuten vorheizen lässt.
3. Am Modell festklebendes Material: Sprühen Sie das Modell vor dem Formen mit einer kleinen Menge Silikonspray ein.
4. An den Dichtungen festklebendes Material: Ersetzen Sie die Dichtungen.
5. In den Vakuumöffnungen feststeckendes Material: Dies kann passieren, wenn das Material zu stark erhitzt und in und durch die Vakuumöffnungen gesaugt wird. Lassen Sie das Material vollständig abkühlen. Versuchen Sie das Material von der Plattform zu ziehen. Falls das Material nicht durch die Vakuumöffnungen hindurch ragt, brechen Sie es vorsichtig ab.
6. Auftreten von Blasen in klarem Material beim Aufheizen: Dies wird durch Absorbieren von Luftfeuchtigkeit verursacht. Die Bläschen können aus dem ungeformten Material entfernt werden, indem man es für ungefähr eine Stunde in einen warmen Ofen (70° C) legt. Bewahren Sie das Material zusammen mit einem Trockenmittel in einem wiederverschließbaren Plastikbeutel an einem kühlen und trockenen Ort auf.
7. Die Heizeinheit funktioniert nicht: Stellen Sie sicher, dass das Stromkabel ordnungsgemäß in der Steckdose und an der Rückseite von The Machine III angeschlossen ist. Falls die Anzeigeleuchte beim Einschalten nicht aufleuchtet, entfernen Sie das Stromkabel aus der Steckdose und aus dem Anschluss an der Rückseite der Maschine und prüfen Sie die Sicherung. Ersetzen Sie sie falls nötig. (Sie finden die Anleitung zum Auswechseln der Sicherung auf Seite 44.)

Falls die Maschine III weiterhin nicht funktionsfähig ist, wenden Sie sich an Ihren Händler für Dentalwaren, um weitere Unterstützung zu erhalten.

REINIGUNG UND WARTUNG

1. Das Gerät kann bei Bedarf mit einem leicht angefeuchteten Lappen abgewischt werden. Weitere Reinigungsarbeiten sollten nicht notwendig sein.

2. Überprüfen Sie das Stromkabel regelmäßig auf Beschädigungen (z.B. durchscheuern, etc.) und prüfen Sie am Stecker, dass die Verbinder wirklich vollständig eingesetzt sind.

3. Auswechseln der Sicherung – An dem Stromanschluss an der Rückseite von The Machine III ist eine Sicherung eingebaut. Die Sicherung ist für den ordnungsgemäßen Betrieb unter normalen Bedingungen ausgelegt. Für den Fall, dass die Sicherung ersetzt werden muss, ist zu Ihrer Bequemlichkeit eine Ersatzsicherung beigelegt. Sie befindet sich in der Sicherungshalterung. Entfernen Sie zunächst das Stromkabel vom Gerät, indem Sie es aus der Steckdose und am Gerät selbst ausstöpseln. Verwenden Sie einen Schlitzschraubenzieher, um die Sicherungshalterung vorsichtig aus der Einbuchtung, deren Lage durch das Sicherungssymbol angezeigt wird, zu hebeln. Entfernen Sie die Sicherung und ersetzen Sie sie mit der, die sich in der Halterung befindet. Es ist wichtig, sich für solche Fälle mit Ersatzsicherungen zu versorgen (15 Ampere für die Einheit mit 110 V und 6.3 Ampere für die Einheit mit 220 V). Die Verwendung anderer Sicherungen kann zum Ausfall des Gerätes und zum Erlöschen der Garantie führen.

4. Die Machine III besteht nur aus Materialien von höchster Qualität. Nach jahrelanger Nutzung, kann es allerdings vorkommen, dass die Heizeinheit oder andere Teile ersetzt werden müssen. Falls ein Teil ersetzt werden muss, kontaktieren Sie bitte Ihren für die Machine III autorisierten Dentalwarenhändler.

GARANTIEBEDINGUNGEN

Für die bestimmungsgemäße Verwendung des The Machine III-Präzisionsvakuumformers in Übereinstimmung mit der Betriebsanleitung besteht für einen Zeitraum von 60 Monaten ab dem Kaufdatum eine Garantie gegen Defekte die auf ursprüngliche Material- und Konstruktionsfehler zurückzuführen sind. Diese Garantie gilt nur für den Originalkäufer und unter der Bedingung, dass die Garantiekarte innerhalb von zwei Wochen ab Kaufdatum ausgefüllt an das Machine III Service Center zurückgeschickt wird. Es besteht keine Garantie für Dichtungen, Sicherungen, Stromkabel und zerbrochene Gussstücke.

*Die Garantie erlischt, wenn das Gerät manipuliert wird.

Hinweis: Falls die Ausrüstung nicht in der vom Hersteller spezifizierten Weise genutzt wird, können die Schutzeinrichtungen der Ausrüstung beeinträchtigt sein.

REPARATUREN

Für Reparaturen kontaktieren Sie bitte Ihren für die Machine III autorisierten Dentalwarenhändler. Für die Fehlersuche oder für konkrete Fragen, kontaktieren Sie bitte:

SERVICE CENTER

52 West King Street

Myerstown, PA 17067

Für technische Hilfe:

Telefon: 1-800-333-3131 oder 856-663-4700

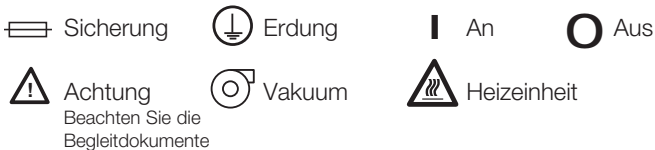
Sorgen Sie für eine angemessene Verpackung, wenn Sie die Machine III für Reparaturen einschicken. Der Hersteller ist nicht für Reparaturen verantwortlich, die durch Transportschäden verursacht werden. Verwenden Sie KEINE Styroporchips zum Verpacken von The Machine III. Dieses Material kann sich im Heizmechanismus festsetzen und ein Brandrisiko erzeugen. Entfernen Sie die Handgriffe.

UMWELTBEDINGUNGEN FÜR GEBRAUCH UND LAGERUNG

Die Heizeinheit der Vakuumformmaschine kann Feuchtigkeit/Nässe absorbieren, wenn er eine Zeit lang gelagert wird. Diese kann bis zu den internen Verbindungen vordringen und zu einem Kurzschluss bei Ihrer über einen FI-Schutzschalter gesicherten Steckdose führen. Falls dies auftritt, empfehlen wir die Maschine für 12 Durchgänge an einer Steckdose, die nicht über einen FI-Schutzschalter gesichert ist, zu betreiben. Dadurch kann die Feuchtigkeit verdunsten.

Diese Situation tritt selten auf und ist kein Anlass zur Sorge. Falls Sie dies weiter diskutieren möchten, kontaktieren Sie bitte das The Machine III Service Center unter: 1-800-333-3131.

BEDEUTUNG DER SYMBOLE AUF THE MACHINE III



TECHNISCHE SPEZIFIKATIONEN

Modellnummer	Modellnummer	Modellnummer
101	202	202CE
115 V~	230 V~	230 V~
50/60 Hz	50/60 Hz	50/60 Hz
1475 W	1475 W	1475 W

Die Vakuumformmaschine ist zum Gebrauch im Inneren, in einer normalen Laborumgebung gedacht.

Temperatur der Betriebsumgebung: 5-40°C

Relative Feuchtigkeit: Max 80%

Höhe: Maximal 2,000 m

Installationskategorie: Nominal II

Verschmutzungsgrad: Nominal 2

Netzspannungsschwankungen dürfen nicht höher sein als +/- 10% der nominalen Spannung.

IT APERTURA DEL PACCO ED IMPOSTAZIONI

La Machine III richiede una minima preparazione per l'utilizzo. Pochi semplici passi sono necessari prima di iniziare ad operare con l'unità:

1. Maniglie

Togliere il tappo rosso dal foro della maniglia sinistra. Questo tappo è utilizzato per mantenere in posizione il perno di bloccaggio della maniglia durante il trasporto. Lo scopo del perno nella maniglia sinistra è quello di agire come un perno di bloccaggio per mantenere le piastre in posizione. Assicurarsi che il perno non fuoriesca dal foro quando il tappo viene rimosso. Se il perno esce dal foro, assicurarsi che sia installato con la punta bianca verso la sede. Inserire entrambe le maniglie nei fori delle maniglie nella parte posteriore del telaio incardinato. Quando si sollevano le piastre nella posizione superiore per il riscaldamento, ruotare la maniglia a sinistra per bloccare le piastre in posizione. Ruotare la maniglia in senso opposto per allentare e abbassare le piastre. Viene fornito un pomello a goccia che funge da guida per il materiale della piastra e può essere inserito nel foro anteriore a sinistra o destra, a seconda della preferenza dell'utente.

2. Posizionamento

La Machine III deve essere posizionata su un banco aperto, entro 1,20m (4') da una presa elettrica che abbia una corretta messa terra.

ATTENZIONE: durante il suo funzionamento, l'unità non deve essere posizionata più vicino di 15cm (6") da pareti, armadi o altre apparecchiature, a causa della temperatura emessa dall'unità riscaldante. In nessun caso questa unità deve essere utilizzata mentre si trova sotto o all'interno di un armadio.

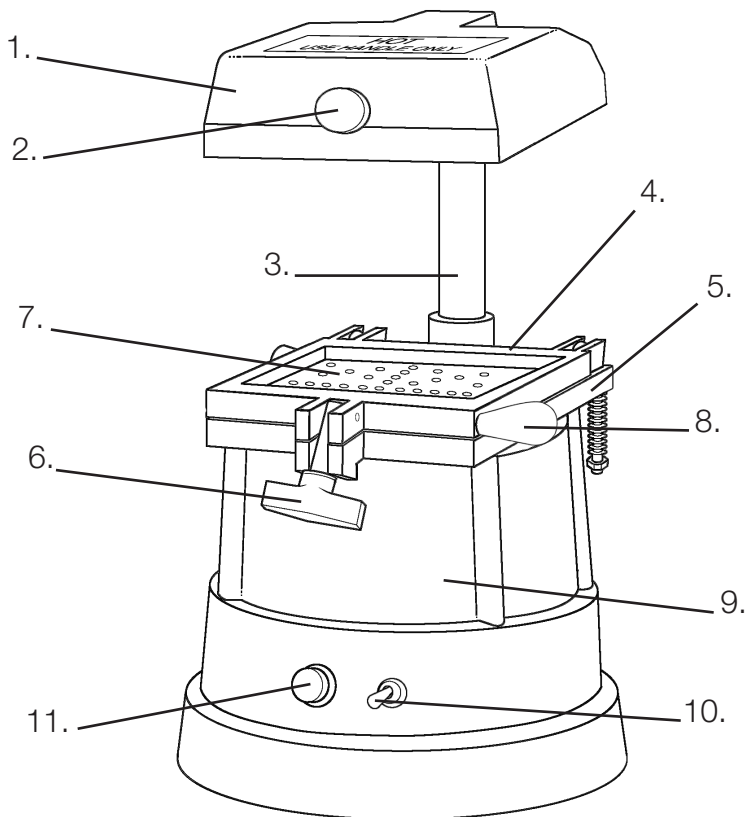
3. Cavo di alimentazione

Inserire l'estremità femmina del cavo nella presa elettrica che si trova sul retro dell'unità e l'estremità maschio in una presa elettrica dotata di messa a terra. Il cavo di alimentazione dell'apparecchio non deve essere collocato in prossimità del riscaldatore o qualsiasi altra superficie calda.

THE MACHINE III

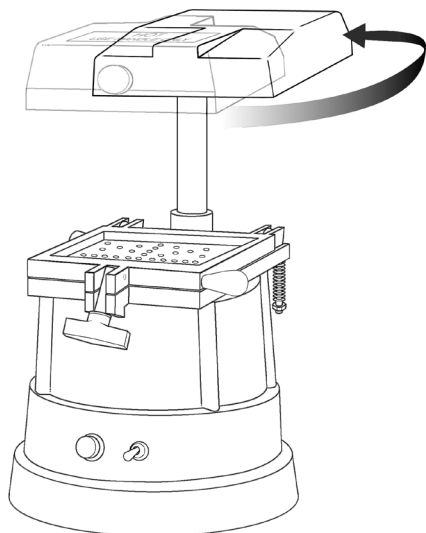
Aspiratore di precisione per dare forma

IDENTIFICAZIONE DEI COMPONENTI

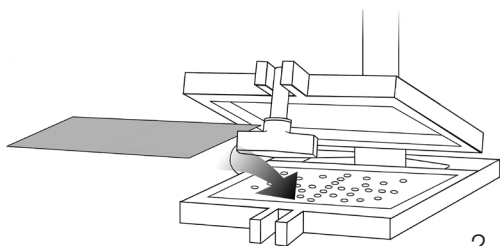


- | | |
|--|---|
| 1. UNITÀ RISCALDANTE | 6. CHIUSURA (POMELLO A "T") |
| 2. MANIGLIA DELL'UNITÀ RISCALDANTE | 7. PIASTRA DELL'ASPIRATORE |
| 3. SEDE | 8. POMELLO A GOCCIA |
| 4. PIASTRA SUPERIORE - MOLLA DI CARICO | 9. UGELLI DELLA BASE |
| 5. PIASTRA INFERIORE | 10. UNITÀ RISCALDANTE E INTERRUPTORE ASPIRATORE |
| | 11. SPIA DELL'UNITÀ RISCALDANTE |

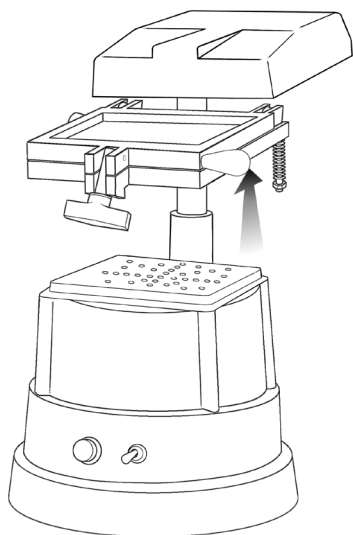
ISTRUZIONI PER LE OPERAZIONI



1. Ruotare l'unità riscaldante nella parte posteriore e girare l'interruttore nella posizione di sinistra per accendere l'unità riscaldante. La spia dell'unità riscaldante si accenderà quando l'unità riscaldante è attiva. Sono richiesti circa tre minuti per il preriscaldamento. Preriscaldare l'unità prima di usarla è particolarmente importante quando si usano materiali .040 o più sottili. Questi materiali si riscaldano molto rapidamente ed è meglio avere prima la temperatura dell'unità riscaldante stabilizzata.



2. Aprire la piastra superiore tirando il pomello. Posizionare sulla piastra inferiore un foglio di materiale che serve a dare la forma. Abbassare la piastra del materiale superiore sul materiale ed innestare la chiusura.



3. Afferrare entrambe le maniglie situate sul lato posteriore della piastra sul fondo e sollevare le piastre, ruotare la maniglia sinistra per innestare il perno di bloccaggio nella sede. Esso manterrà le piastre nella posizione superiore.

4. Inserire la colata (pietra, gesso, ecc) sulla piastra dell'aspiratore. La Machine III può ospitare uno o due calchi di dimensioni medie. Se si utilizzano due calchi, metterli fianco a fianco in diagonale sulla piastra della aspiratore. Mantenere un leggero spazio tra i calchi.

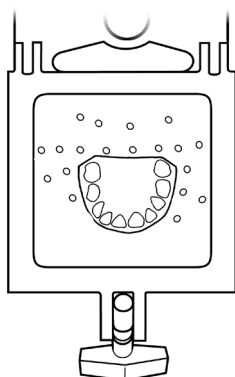
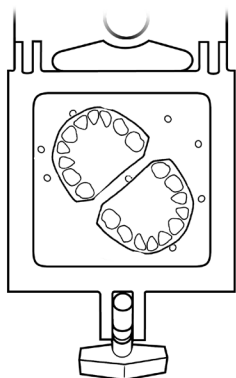
Linee Guida per la preparazione del modello:

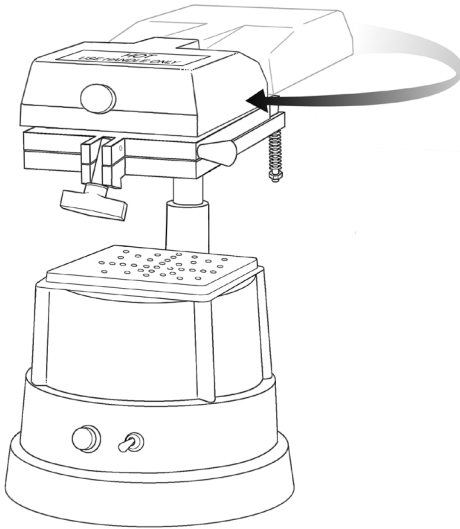
Base — La base del modello deve essere sottile come nella pratica - Una base eccessiva può provocare l'assottigliamento del materiale e/o la diminuzione dei dettagli.

Pietra — Viene consigliata una pietra di qualità o un gesso che produca un modello denso e duro. I materiali più morbidi possono creare polvere. Questa polvere può depositarsi all'interno del dispositivo finito.

Squadratura — I lati tagliati devono essere piatti e tagliati con un angolo a 90°. Le squadrature e gli angoli che si tagliano alla base creeranno un blocco nel vuoto e renderanno difficile produrre un dispositivo dettagliato. Se possibile, è meglio avere la base fuori dalla vampata di qualche grado. Questo viene completata durante la fase di taglio.

NOTA: non utilizzare calchi bagnati o eccessivi spray al silicone, dato che l'umidità sarà risucchiata nella pompa da vuoto e può causare danni al motore.





5. Mettere l'unità di riscaldamento in posizione ad angolo retto sul materiale.

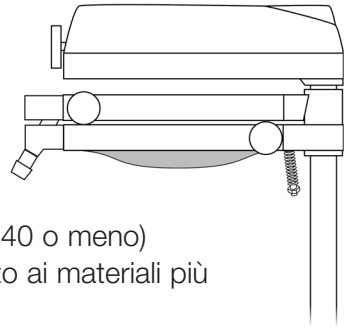
Avvertenza: Spostare l'unità riscaldante solo tramite la maniglia fornita.

6. Osservare con attenzione come si riscalda il materiale. Quando il materiale comincia a incurvarsi, abbassare la piastra del materiale verso il

getto sulla piattaforma della pompa da vuoto (utilizzare le maniglie poste sul retro della piastra del materiale. Ruotare leggermente la maniglia sinistra per liberare il perno di bloccaggio).

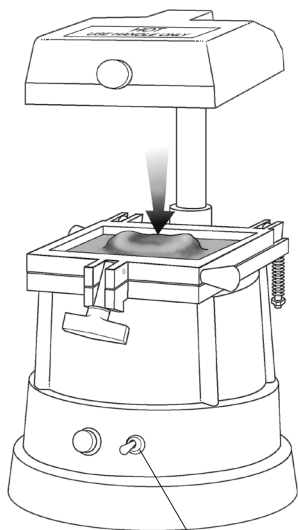
Nota: Il materiale si riscalda rapidamente e sarà inutilizzabile se gli si permette di scendere eccessivamente. In casi estremi, il materiale può passare nel motore della pompa da vuoto, causando danni al motore. I materiali più sottili (.040 o meno) richiedono meno abbassamento rispetto ai materiali più spessi (.150+)

Avvertenza: NON lasciare la macchina incustodita quando effettua il riscaldamento dei materiali.

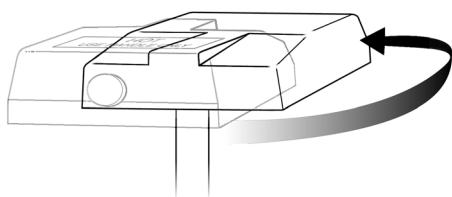


Type of Material	Typical Heating Time	Typical Vacuum Time
.020" Coping and Splint	1 min. 30 sec.	10 to 15 sec.
.040" Bleaching Tray	1 min. 30 sec.	15 to 20 sec.
.080" Baseplate	2 min.	15 to 20 sec.
.100" Tray or Mouthguard	2 min. 30 sec.	20 to 25 sec.
.150" Tray or Mouthguard	2 min. 30 sec.	20 to 30 sec.

I tempi sono approssimativi e devono essere regolati in base alle condizioni di riscaldamento e di esperienza dell'operatore.



Accendere l'unità
riscaldante/vuoto
on/off



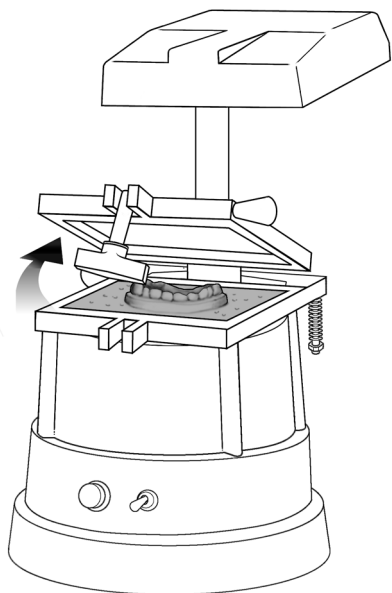
7. Spostare l'interruttore dalla posizione di riscaldamento di sinistra alla posizione di vuoto a destra per completare l'adattamento. Con materiali più spessi, permettere l'esecuzione del vuoto più a lungo per dettagli più raffinati.

8. Usare la maniglia rotonda attaccata alla parte anteriore dell'unità riscaldante, ruotare l'unità riscaldante nella posizione più lontana nella parte posteriore della macchina.

Nota: Lasciare all'unità riscaldante il tempo di raffreddarsi per almeno 10 minuti tra le operazioni (o posizionarla vicino a un muro).

Non permettere che l'elemento riscaldante rimanga sopra le maniglie in nessun momento in cui esse sono molto calde.

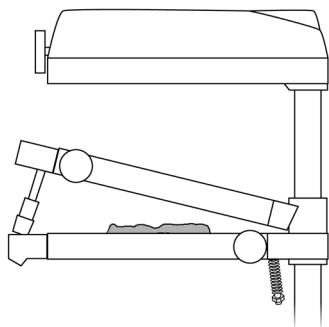
ATTENZIONE: L'unità riscaldante deve essere fatta funzionare per un massimo di 5 minuti, seguita da un tempo massimo di 1 minuto a vuoto. Spegnerne l'unità riscaldante prima del posizionamento dell'unità di riscaldamento nella parte posteriore della macchina per evitare l'eccessivo riscaldamento del cavo elettrico. La mancata osservanza potrebbe danneggiare il cavo (il cavo di alimentazione non è coperto dalla garanzia).



9. Spegner il motore di aspirazione spostando l'interruttore al centro della posizione "OFF". Il materiale lavorato deve raffreddare per circa 4 minuti prima di aprire il telaio. Rilasciare la manopola telaio incernierato e aprire il telaio per rimuovere l'adattamento.

10. Utilizzare il pomello di chiusura del telaio per aprire il telaio, consentendo alle guarnizioni di raffreddarsi.

11. Per rimuovere la colata dalla formina, tagliare prima il materiale piatto in eccesso con le forbici. Tagliare il più vicino possibile alla colata per facilitare la manipolazione.



12. Un coltello o disco (o mola adatto per il taglio eccesso acrilico) possono essere utilizzati per tagliare il materiale in corrispondenza della periferia del cast all'adattamento separata dal cast.

Avvertenza: Un coltello deve essere utilizzato solo sulla base della piastra o su materiale trasparente.

13. Tagliare in maniera completa e dettagliata con le forbici, rasoio o coltello elettrico, ciò produrrà risultati finali professionali.

GUIDA ALLE PROBLEMATICHE

1. Dettagli insufficienti: questo è spesso causato da un riscaldamento o un tempo di vuoto non corretto. Se l'adattamento scelto non visualizza sufficienti dettagli, consentire al materiale da riscaldarsi più a lungo prima di dare la forma e/o aumentare il tempo di vuoto.

2. Materiale si crepa o si sgretola: questo è il risultato di un calore eccessivo. Ridurre il tempo di riscaldamento. Quando si utilizzano materiali .040 o più sottili, è importante stabilizzare la temperatura del componente di riscaldamento preriscaldando l'unità per circa 3 minuti prima di dare la forma.

3. Il materiale si attacca al modello: spruzzare il modello con una piccola quantità di lubrificante al silicone prima di dare la forma.

4. Il materiale si attacca alle guarnizioni: sostituire le guarnizioni.

5. Materiale si blocca nei fori di aspirazione: questo può verificarsi se il materiale è surriscaldato e aspirato dentro e attraverso i fori di aspirazione. Lasciare che il materiale si raffreddi completamente. Tentare di estrarre il materiale dalla piattaforma. Se il materiale non sorge attraverso i fori di aspirazione, tirare fuori delicatamente il materiale facendo leva.

6. Durante il riscaldamento appaiono delle bolle nel materiale trasparente: questo è causato dall'assorbimento di umidità dall'aria. Le bolle possono essere rimosse dal materiale prima della formazione ponendolo in forno caldo (a 160°F) per circa un'ora. Conservare i materiali in un sacchetto a chiusura ermetica con gel essiccante e in un luogo fresco e asciutto.

7. L'elemento di riscaldamento non funziona: verificare che il cavo di alimentazione sia correttamente collegato alla presa a muro e sul retro della Machine III. Se la spia non si accende quando è impostato su "acceso", scollegare il cavo di alimentazione dalla presa a muro e da dietro e controllare il fusibile. Sostituire se necessario. (Vedere pagina 55 per le istruzioni sulla sostituzione del fusibile).

Se la Machine III continua a non funzionare, contattare il proprio distributore dentale per ulteriore assistenza.

PULIZIA E MANUTENZIONE

1. Un panno leggermente umido può essere usato a seconda del caso per pulire l'unità. Non dovrebbe essere richiesto nessun altro tipo di pulizia.
2. Controllare periodicamente il cavo di alimentazione per verificarne l'usura (ad es. Lo sfilacciamento, ecc.) e controllare la presa per assicurare che i connettori siano ben inseriti.
3. Sostituzione dei fusibili - La presa di alimentazione sul retro della Machine III incorpora un fusibile. Il fusibile è stato selezionato per il corretto funzionamento in condizioni normali. Nel caso in cui si verificasse la necessità di sostituire il fusibile, un fusibile supplementare è incluso per la semplicità. Si trova nel portafusibile. In primo luogo, rimuovere il gruppo cavo dall'unità staccando dalla presa elettrica e dal gruppo stesso. Utilizzare un cacciavite a scanalatura piatta per sollevare delicatamente il portafusibile dalla presa vicino all'area indicata dal simbolo del fusibile. Rimuovere il fusibile e sostituirlo con quello che si trova nel supporto. È importante trovare dei fusibili di ricambio dello stesso tipo per la sostituzione (15 Amp per l'unità a 110V e 6,3 Amp per l'unità a 220V). L'uso di un fusibile diverso da quanto indicato può causare danni all'unità e invalidare la garanzia del prodotto.
4. Solo materiali della migliore qualità sono inseriti nella Machine III. Tuttavia, dopo anni di utilizzo, l'elemento di riscaldamento o qualche altro componente potrebbe aver bisogno di sostituzione. Se un componente richiede la sostituzione, si prega di contattare il proprio distributore dentale autorizzato della Machine III.

TERMINI E CONDIZIONI DELLA GARANZIA

La macchina formatrice a vuoto di precisione Machine III è garantita per il suo utilizzo previsto, in conformità con le istruzioni, contro difetti originali nei materiali e nella lavorazione per un periodo di 60 mesi* dalla data di acquisto. Questa garanzia è valida solo per l'acquirente originale, a condizione che la scheda di registrazione della garanzia sia completata e restituita al Centro di Assistenza della Machine III entro due settimane dalla data di acquisto. Le guarnizioni, i fusibili, i cavi di alimentazione e gli ugelli rotti sono esclusi dai componenti garantiti.

*La garanzia è nulla se l'unità viene manomessa.

Nota: se l'apparecchiatura non viene utilizzata nel modo specificato dal produttore, la protezione fornita dallo strumento potrebbe essere compromessa.

RIPARAZIONI

Contattate il vostro distributore dentale Machine III per la procedura di riparazione. Per problematiche o domande specifiche, contattate:

CENTRO ASSISTENZA - SERVICE CENTER

52 West King Street

Myerstown, PA 17067

Per assistenza tecnica:

Telefono: 1-800-333-3131 or 856-663-4700

In caso di restituzione della Machine III per riparazioni, assicurarsi di usare un adeguato imballaggio. Il produttore non sarà responsabile per le riparazioni causate da danni durante il trasporto. Non imballare la Machine III in materiale tipo polistirolo a scaglie per la spedizione. Il materiale potrebbe entrare nel meccanismo di riscaldamento e causare un pericolo di incendio. Rimuovere le maniglie.

CONDIZIONI AMBIENTALI PER L'OPERATIVITÀ E LA

Il riscaldamento in macchina formatrice a vuoto può assorbire l'umidità / condensa quando conservato per un certo periodo di tempo. Questo può penetrare nei connettori interni e causare problemi di corto circuito alla presa salvavita. In questo caso, si consiglia di utilizzare la macchina su una presa non salvavita per circa dodici cicli. Ciò consentirà la dissipazione dell'umidità.

Questa situazione è rara e non è motivo di allarme. Se volete discuterne ulteriormente, contattate il Centro Assistenza Machine III al numero: 1-800-333-3131.

CHIAVI PER I SIMBOLI DELLA MACHINE III



SPECIFICHE TECNICHE

Numero Modello 101	Numero Modello 202	Numero Modello 202CE
115 V~	230 V~	230 V~
50/60 Hz	50/60 Hz	50/60 Hz
1475 W	1475 W	1475 W

La macchina per la formatura sottovuoto è destinata ad un uso interno

in un ambiente standard di laboratorio dentale.

Temperatura ambiente di funzionamento: 5-40°C

Umidità relativa: max 80%

Altitudine: massimo 2.000m

Categoria di installazione: II nominale

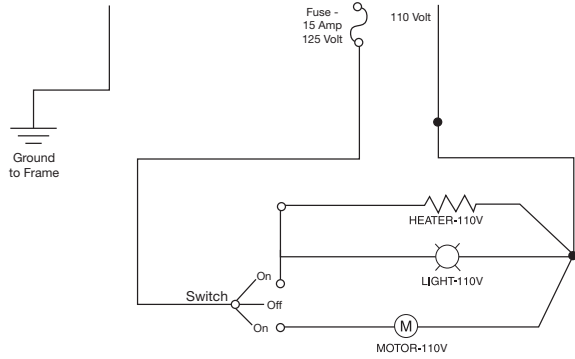
Grado di inquinamento: 2 nominale

Le fluttuazioni di rete non devono superare +/- 10% della tensione nominale.

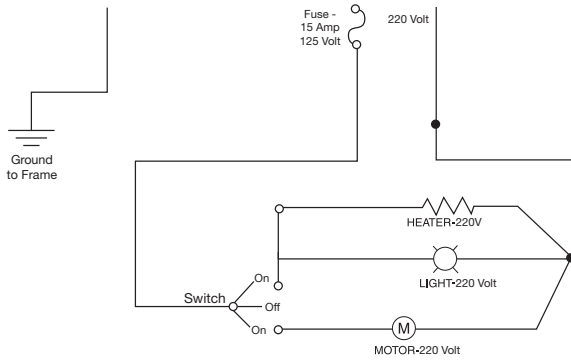
ELECTRICAL SCHEMATICS

ESQUEMAS ELÉCTRICOS/SCHÉMAS ÉLECTRIQUES/ELEKTRISCHE SCHALTPLÄNE/ SCHEMI ELETTRICI

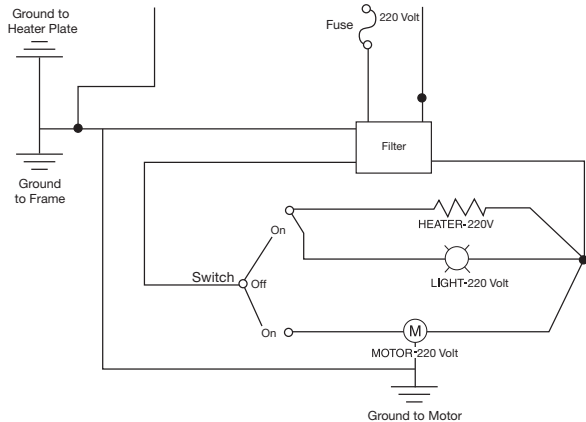
110 Volt/voltios



220 Volt/voltios



220 Volt CE marked unit with filter/
voltios CE unidad marcada con filtro/
Unité marquée 220 Volts CE avec un filtre/
220 Volt Einheit mit CE-Kennzeichen und Filter/
220 Volt marchio CE per l'unità col filtro





52 West King Street, Myerstown PA 17067
800.333.3131 | www.keystoneindustries.com