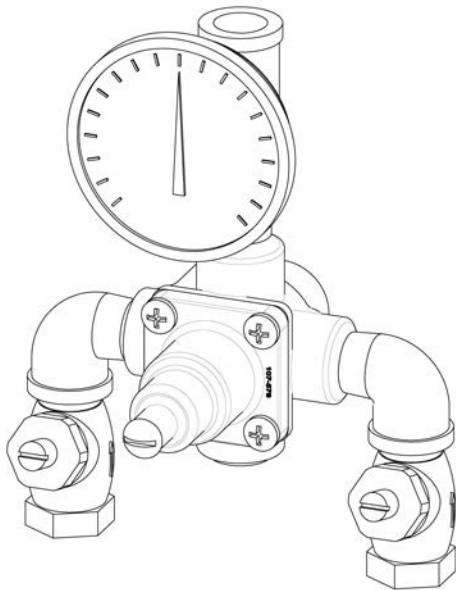


Thermostatic Mixing Valve SE-370

SPECIFICATION



FEATURES:

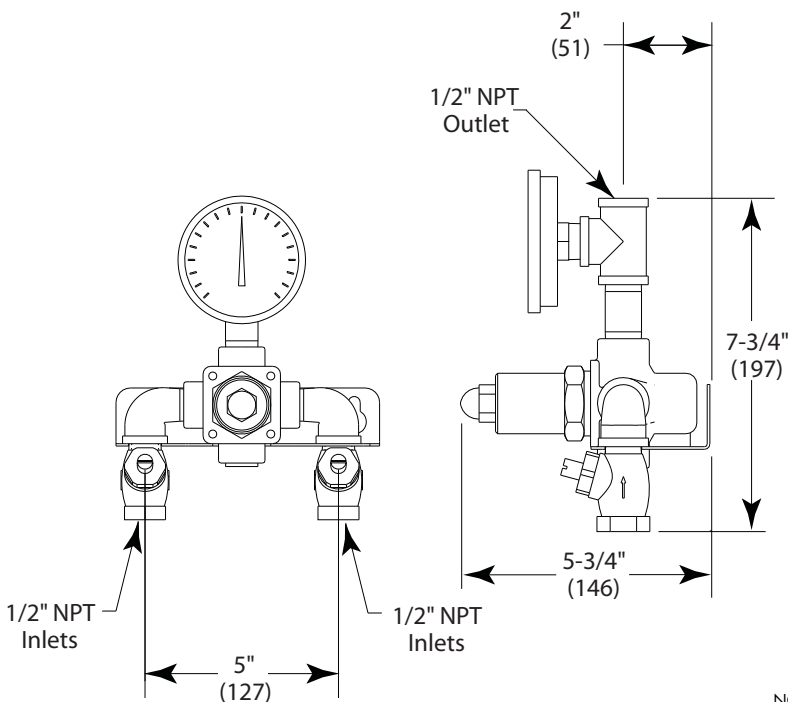
- 7 gpm capacity supports most single eye or eye/face wash stations
- Provides 5 gpm cold water bypass in case of hot water or thermostatic element failure
- Inlet Connections: 1/2" NPT
- Outlet Connection: 1/2" NPT
- Temperature Range: 65°-95° F
- Maximum Pressure 125 PSI
- Inlet Temperature Hot: 120°-180° F
- Inlet Temperature Cold: 33°-80° F
- Minimum Temperature Differential (from valve set point): 20° F
- Automatic spring check stops
- Valve holds to a +/- 3° F temperature

AVAILABLE FINISHES:

- Rough brass (standard)

WARRANTY:

- 1 year limited



NOTE: 1. All dimensions are in inches (millimeters) unless otherwise specified and are subject to change without notice.