

# maxill CPE ISOLATION GOWNS

**maxill CPE Isolation Gowns** feature an apron-style neck for quick and easy donning and doffing. The thumb loop style cuffs keep sleeves from sliding up when putting on gloves.

- Meet ANSI/AAMI PB70 Level 2 Protection Requirements
- Made from blue CPE film
- Apron-style neck
- Thumb loop style cuffs
- Not made with natural rubber latex
- Non-surgical gowns<sup>1</sup>
- Single use only<sup>2</sup>



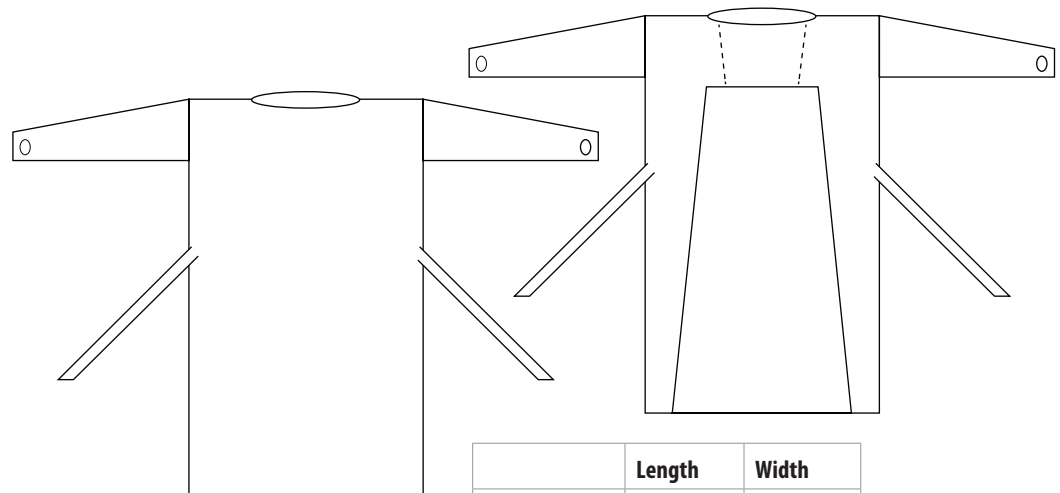
## Product Details

Item #53010

Size: Universal

Color: Blue

Sold in bags of 10  
(10 per bag, 10 bags per case)



	Length	Width
Universal Size	115 cm	105 cm

### Made in China

<sup>1</sup> For use in low-risk settings, not for use in surgical settings and not for use in the presence of high intensity heat sources or flammable gases. <sup>2</sup> Discard after use per healthcare facility procedures.

The product has not been FDA cleared or approved. The product has been authorized by FDA under an Emergency Use Authorization (EUA) for use as PPE in healthcare settings by HCP as they may help protect HCP and/or patients from the transfer of the SARS-CoV-2 virus in low or minimal risk level situations to prevent the spread of COVID-19. This product is only authorized for the duration of the declaration that circumstances exist justifying the authorization of emergency use of medical devices, including alternative products used as medical devices, due to shortages during the COVID-19 outbreak, under Section 564(b)(1) of the Act, 21 USC 360bbb-3(b)(1) unless the authorization is terminated or revoked sooner.